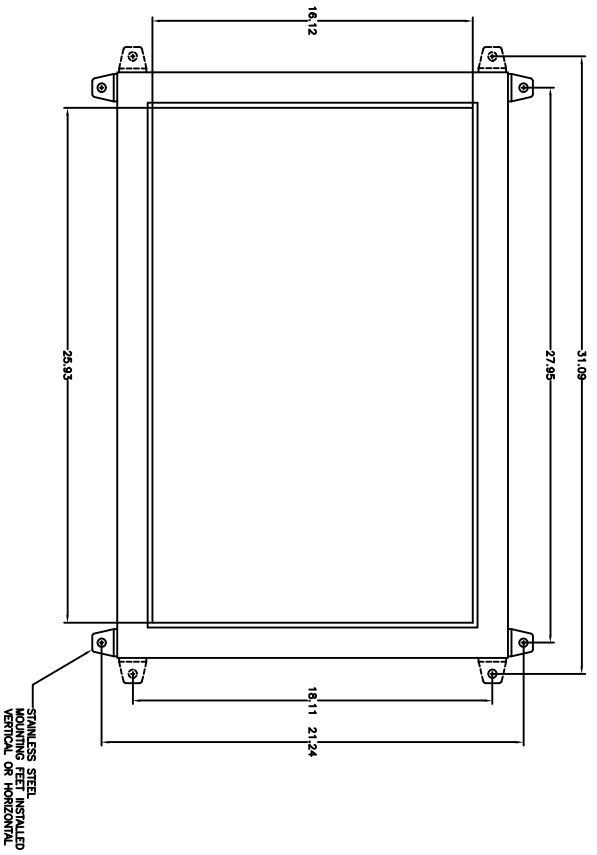
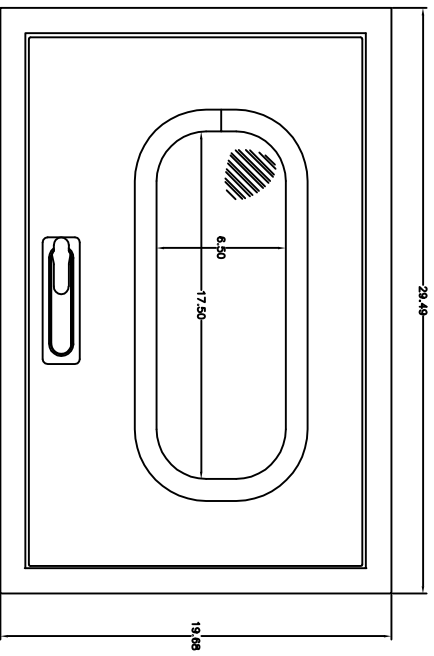


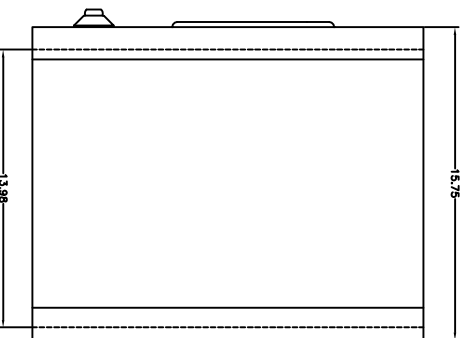
FRONT VIEW DOOR REMOVED



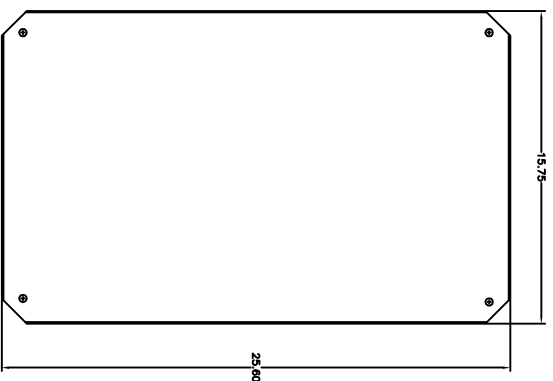
FRONT VIEW



RIGHT VIEW



BACK PLATE  
BP32S



THIS DRAWING IS THE PROPERTY OF VYNCKIER ENCLASURE SYSTEMS, INC. IT IS TO BE USED ONLY FOR THE PROJECT AND QUANTITY SPECIFIED. IT IS NOT TO BE REPRODUCED, COPIED, OR TRANSMITTED IN ANY FORM OR BY ANY MEANS, ELECTRONIC OR MECHANICAL, WITHOUT THE WRITTEN PERMISSION OF VYNCKIER ENCLASURE SYSTEMS, INC.

UNLESS OTHERWISE SPECIFIED, DIMENSIONS ARE IN INCHES. DIMENSIONS IN PARENTHESES ARE IN MILLIMETERS. DO NOT SCALE DRAWING.

<p><b>VYNCKIER</b> ENCLASURE SYSTEMS, INC.</p>		<p>VYNCKIER PART #</p> <p>SPG3090DA</p> <p>SUPERPOLYREEL SERIES ENCLASURE</p>	
DATE	SCALE	DESIGNED BY	DWG. NO.
10/10/11	1:1	SPG	SPG3090DA
CHECKED BY	DATE	APPROVED BY	DATE
SPG	10/10/11	SPG	10/10/11