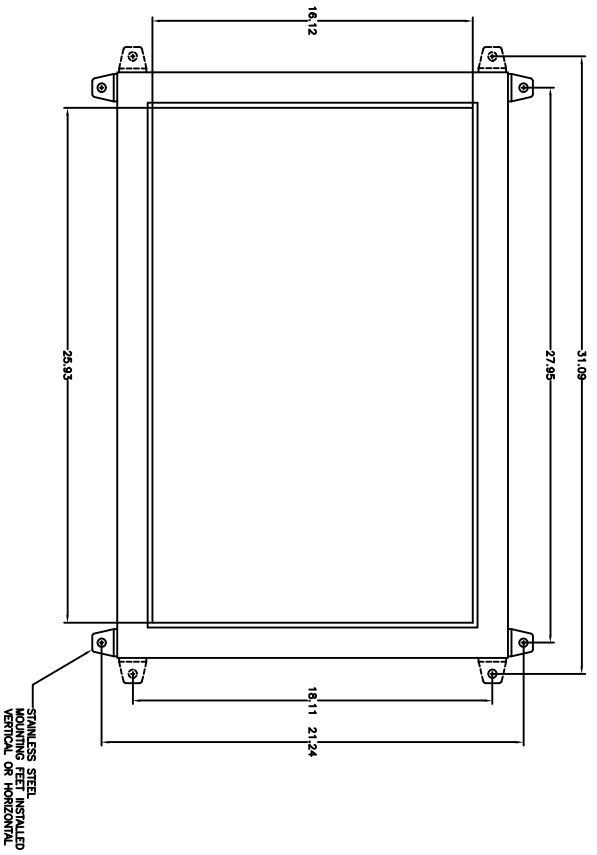
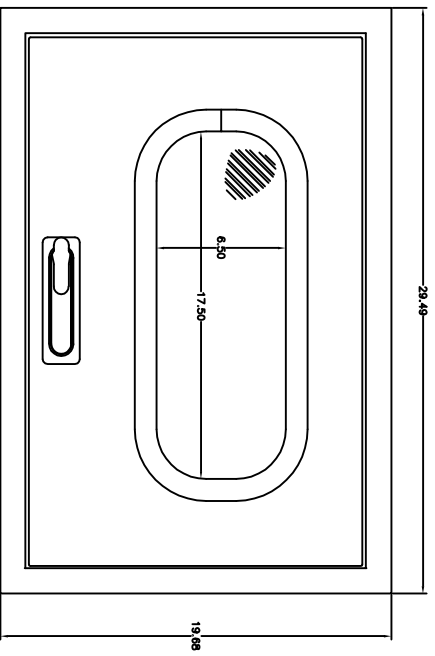


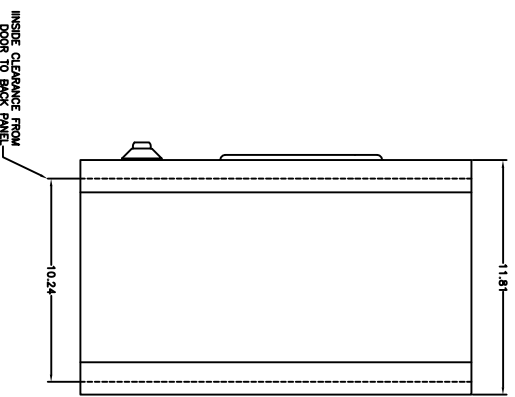
FRONT VIEW DOOR REMOVED



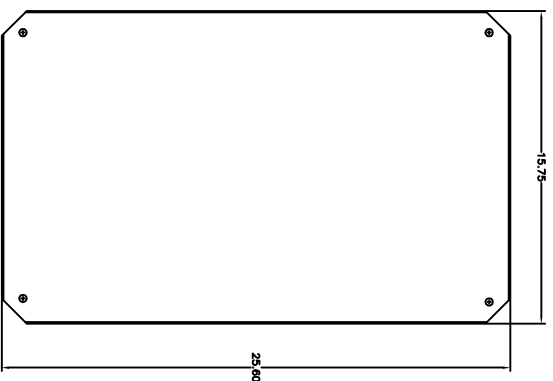
FRONT VIEW



RIGHT VIEW



BACK PLATE
BP32S



THIS DRAWING IS THE PROPERTY OF VYNCKIER ENCLASURE SYSTEMS, INC. IT IS TO BE USED ONLY FOR THE PROJECT AND SITE SPECIFICALLY IDENTIFIED HEREON. IT IS NOT TO BE REPRODUCED, COPIED, OR TRANSMITTED IN ANY FORM OR BY ANY MEANS, ELECTRONIC OR MECHANICAL, WITHOUT THE WRITTEN PERMISSION OF VYNCKIER ENCLASURE SYSTEMS, INC.

UNLESS OTHERWISE SPECIFIED, DIMENSIONS ARE IN INCHES. DIMENSIONS IN PARENTHESES ARE IN MILLIMETERS. DO NOT SCALE DRAWING.

VYNCKIER ENCLASURE SYSTEMS, INC.		VYNCKIER PART #	
SUPERPOLYREEL SERIES ENCLASURE		SPG3090A	
DATE	SCALE	DESIGNED BY	CHECKED BY
08/01/11	1:1	08/01/11	08/01/11
0	0	0	0