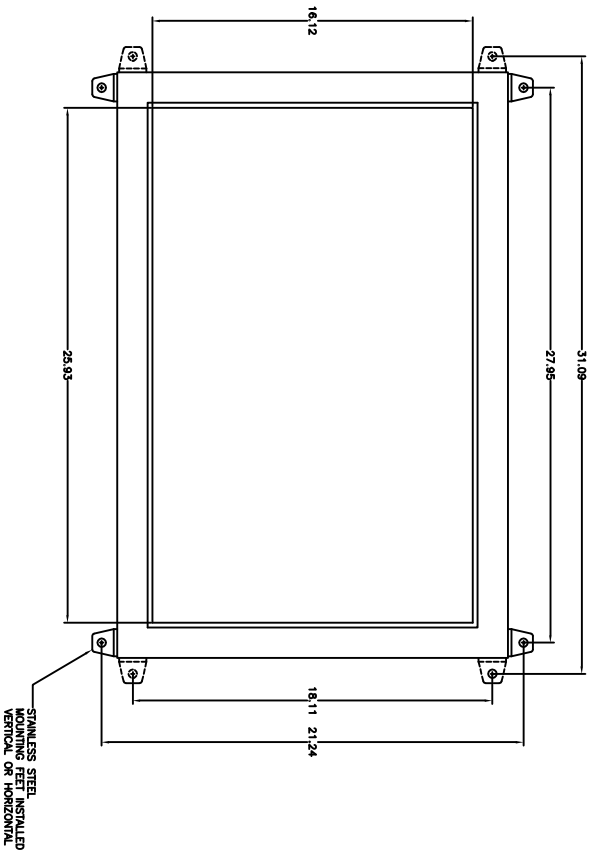
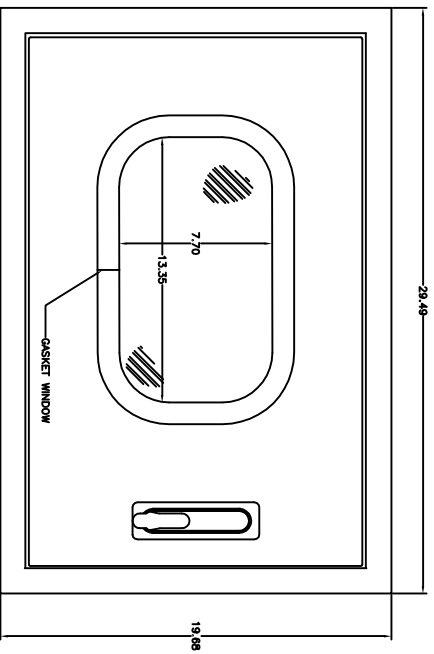


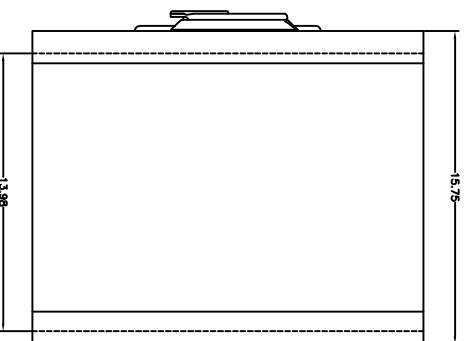
FRONT VIEW DOOR REMOVED



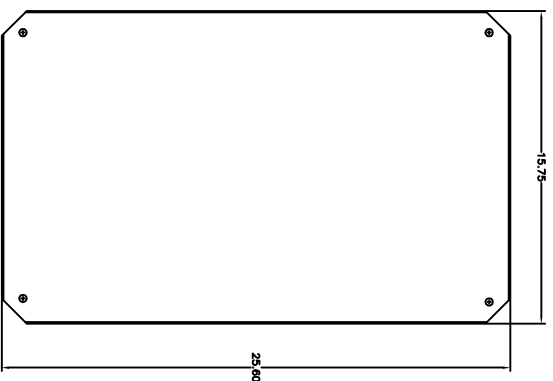
FRONT VIEW



RIGHT VIEW



BACK PLATE  
BP32S



THIS DRAWING IS THE PROPERTY OF VYNCKIER ENCLASURE SYSTEMS, INC. IT IS TO BE USED ONLY FOR THE PROJECT AND ENCLOSURE SPECIFIED HEREON. IT IS TO BE KEPT IN CONFIDENCE AND NOT TO BE REPRODUCED OR TRANSMITTED IN ANY FORM OR BY ANY MEANS, ELECTRONIC OR MECHANICAL, INCLUDING PHOTOCOPYING, RECORDING, OR BY ANY INFORMATION STORAGE AND RETRIEVAL SYSTEM.

UNLESS OTHERWISE SPECIFIED, DIMENSIONS ARE IN INCHES. DIMENSIONS IN PARENTHESES ARE IN MILLIMETERS. DO NOT SCALE DRAWING.

<p><b>VYNCKIER</b> ENCLASURE SYSTEMS, INC.</p>		<p>PROJECT NAME # SPG2909DA</p>	
<p>ENCLOSURE TYPE SUPERPOLYREBEL SERIES ENCLOSURE</p>		<p>DATE 08/20/11</p>	
<p>SCALE 1:1</p>	<p>REV 0</p>	<p>DESIGNED BY P. WILSON</p>	<p>CHECKED BY P. WILSON</p>