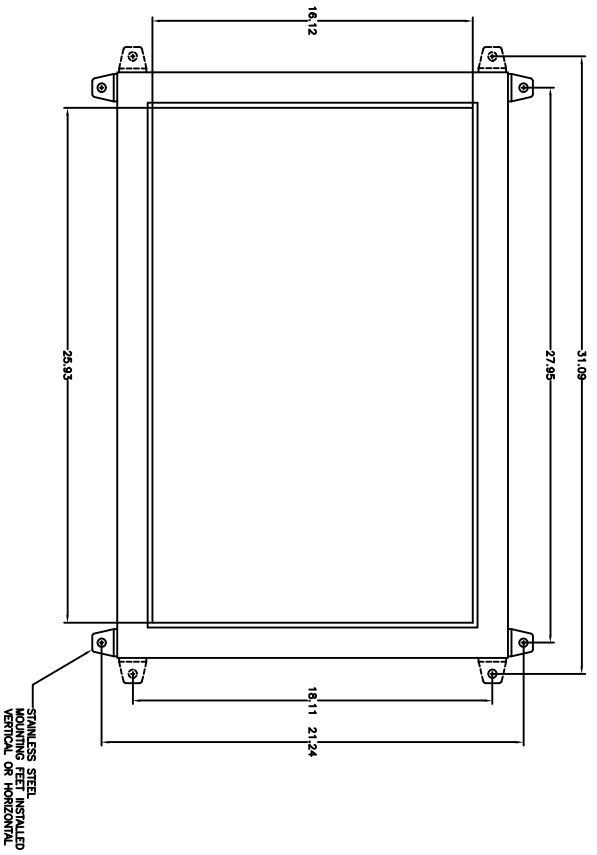
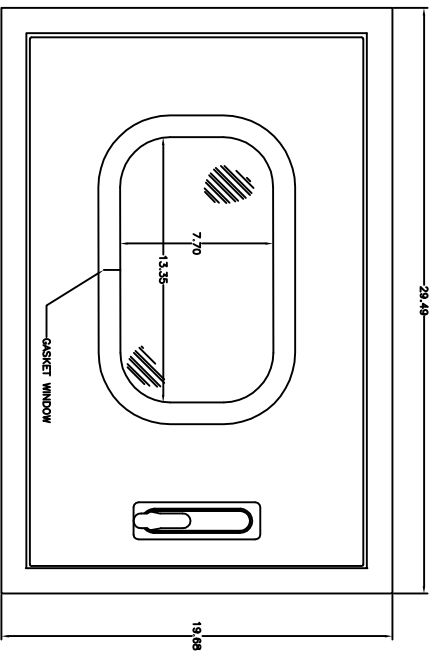


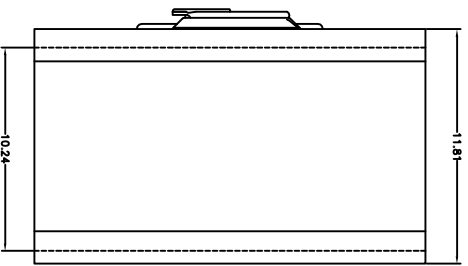
FRONT VIEW DOOR REMOVED



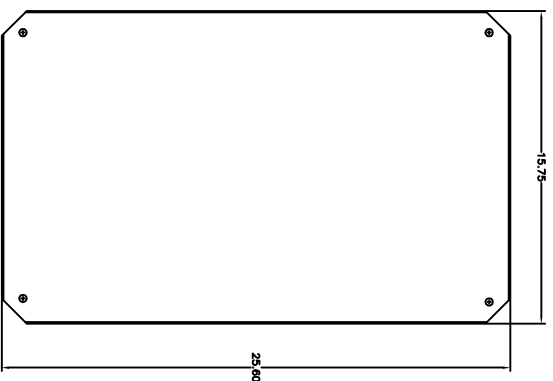
FRONT VIEW



RIGHT VIEW



BACK PLATE  
BP32S



THIS DRAWING IS THE PROPERTY OF VYNCKIER ENCLASURE SYSTEMS, INC. IT IS TO BE USED ONLY FOR THE PROJECT AND SITE SPECIFICALLY IDENTIFIED HEREON. IT IS NOT TO BE REPRODUCED, COPIED, OR TRANSMITTED IN ANY FORM OR BY ANY MEANS, ELECTRONIC OR MECHANICAL, WITHOUT THE WRITTEN PERMISSION OF VYNCKIER ENCLASURE SYSTEMS, INC.

DATE: 08/11/11  
DRAWN BY: [REDACTED]  
CHECKED BY: [REDACTED]  
SCALE: 1:1

VYNCKIER ENCLASURE SYSTEMS, INC.		VYNCKIER PART #	
SUPERPOLYREBEL SERIES ENCLASURE		SPG299A	
DATE:	08/11/11	CREATED BY:	[REDACTED]
DRAWN BY:	[REDACTED]	CHECKED BY:	[REDACTED]
SCALE:	1:1	VYNCKIER BY:	[REDACTED]