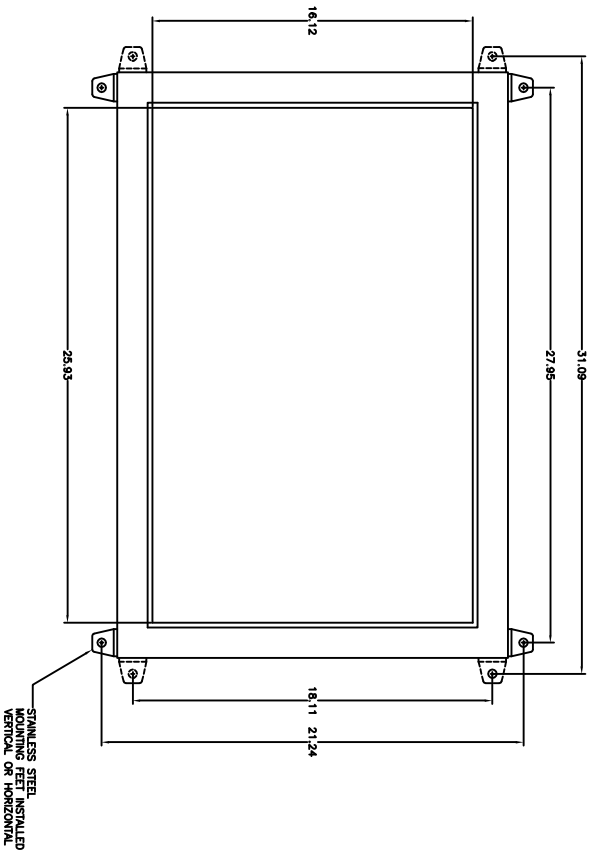
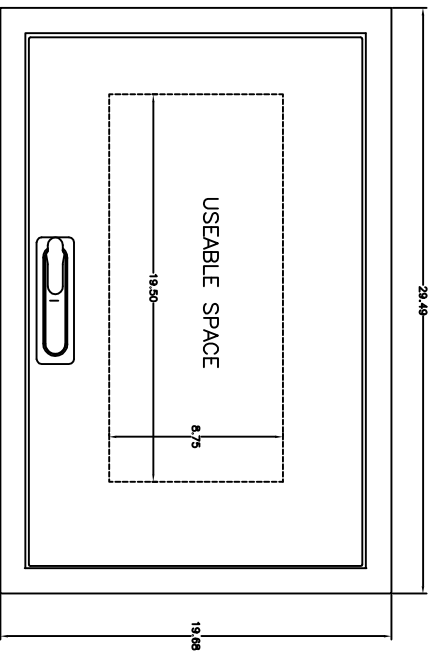


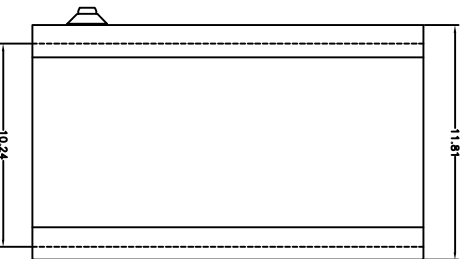
FRONT VIEW DOOR REMOVED



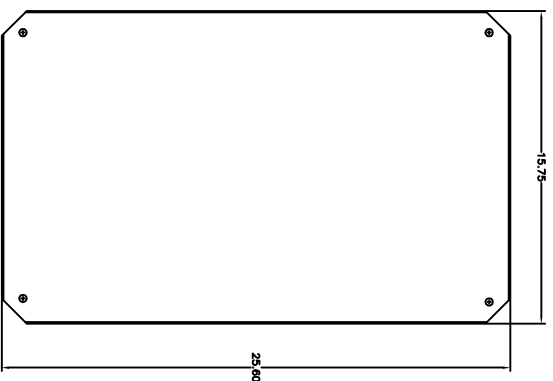
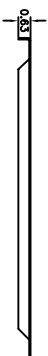
FRONT VIEW



RIGHT VIEW



BACK PLATE
BP32S



THIS DRAWING IS THE PROPERTY OF VYNCKIER ENCLASURE SYSTEMS, INC. IT IS TO BE USED ONLY FOR THE PROJECT AND ENCLOSURE SPECIFIED HEREON. IT IS NOT TO BE REPRODUCED OR TRANSMITTED IN ANY FORM OR BY ANY MEANS, ELECTRONIC OR MECHANICAL, INCLUDING PHOTOCOPYING, RECORDING, OR BY ANY INFORMATION STORAGE AND RETRIEVAL SYSTEM.

UNLESS OTHERWISE SPECIFIED, DIMENSIONS ARE IN INCHES. DIMENSIONS IN PARENTHESES ARE IN MILLIMETERS. DO NOT SCALE DRAWING. EXEMPT 871

VYNCKIER ENCLASURE SYSTEMS, INC.		VYNCKIER PART # SP3020A SUPERPOLYREX SERIES ENCLASURE
DRAWN BY: [blank] CHECKED BY: [blank]	DATE: [blank] SCALE: [blank]	DESIGNED BY: [blank] DRAWING NO.: SP3020A