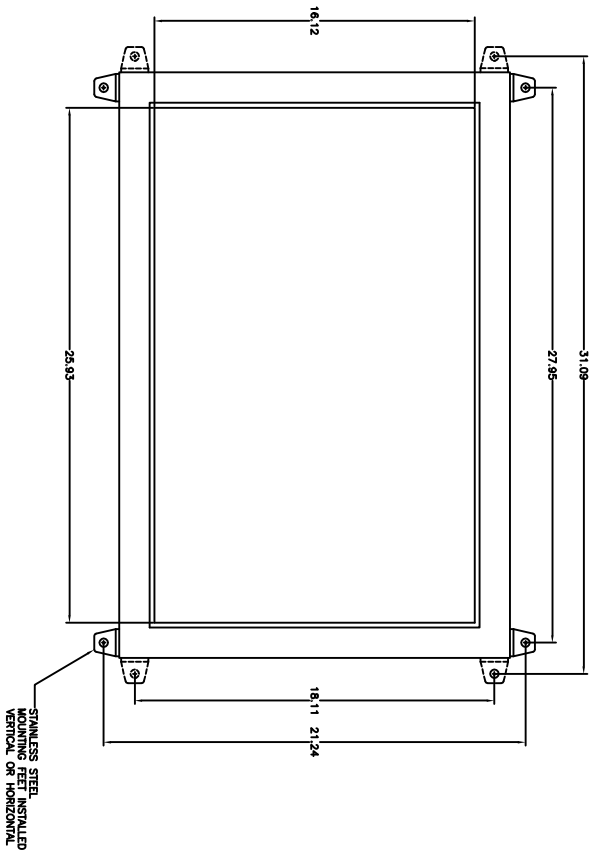
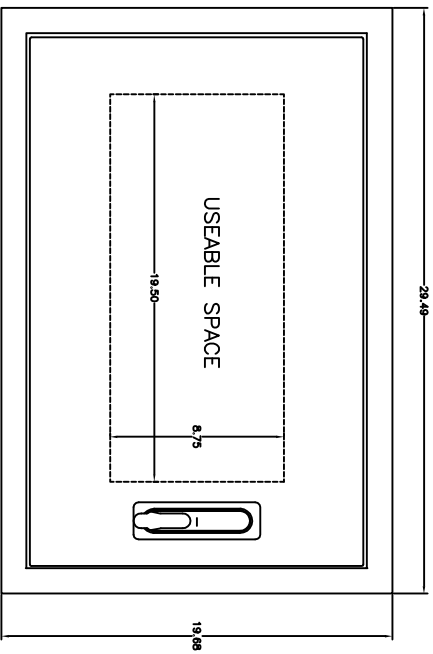


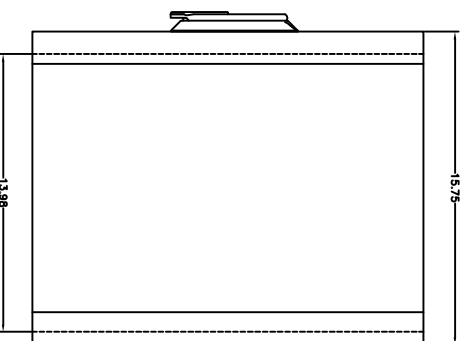
FRONT VIEW DOOR REMOVED



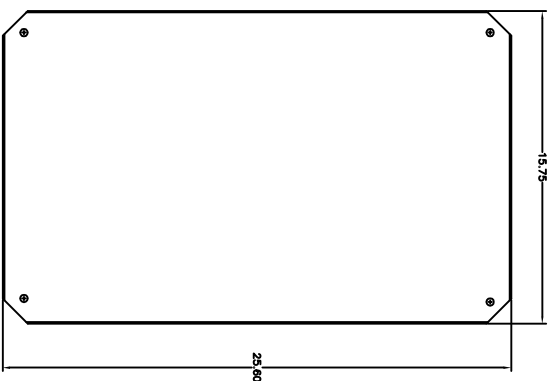
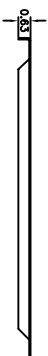
FRONT VIEW



RIGHT VIEW



BACK PLATE  
BP32S



THIS DRAWING IS THE PROPERTY OF VYNCKIER ENCLASURE SYSTEMS, INC. IT IS TO BE USED ONLY FOR THE PROJECT AND FOR THE QUANTITY OF ENCLOSURES SPECIFIED. IT IS TO BE RETURNED TO VYNCKIER ENCLASURE SYSTEMS, INC. UPON COMPLETION OF THE PROJECT.

UNLESS OTHERWISE SPECIFIED, DIMENSIONS ARE IN INCHES. DIMENSIONS IN PARENTHESES ARE IN MILLIMETERS. DO NOT SCALE DRAWING. EXEMPTED BY:

		VYNCKIER PART # SP290DA SUPERPOLYREX SERIES ENCLOSURE	
DATE	SCALE	DESIGNED BY	CHECKED BY
08/10/11	1:1	0	0
DATE	SCALE	DESIGNED BY	CHECKED BY
08/10/11	1:1	0	0