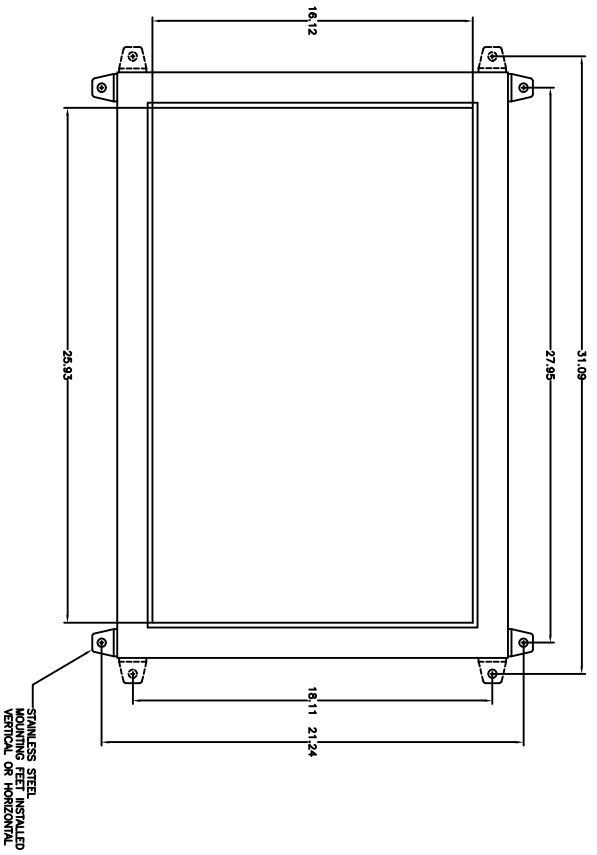
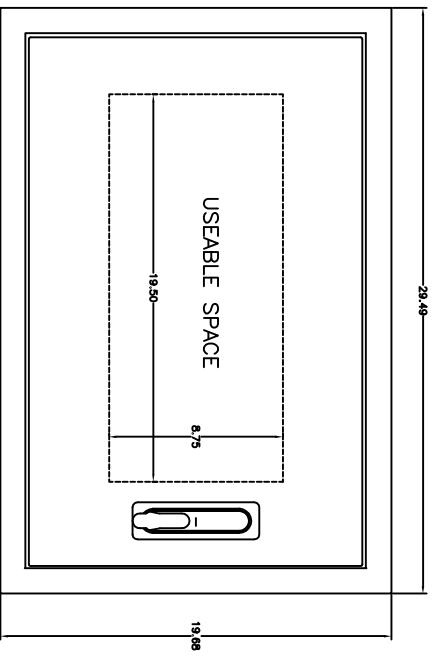


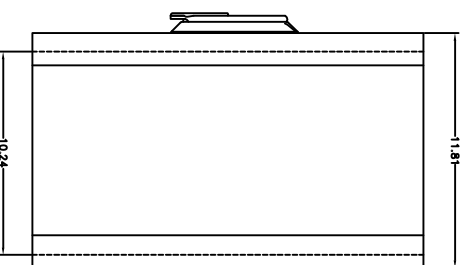
FRONT VIEW DOOR REMOVED



FRONT VIEW



RIGHT VIEW



BACK PLATE
BP32S



THIS DRAWING IS THE PROPERTY OF VYNCKIER ENCLASURE SYSTEMS, INC. IT IS TO BE USED ONLY FOR THE PROJECT AND SITE SPECIFICALLY IDENTIFIED HEREON. IT IS NOT TO BE REPRODUCED, COPIED, OR TRANSMITTED IN ANY FORM OR BY ANY MEANS, ELECTRONIC OR MECHANICAL, WITHOUT THE WRITTEN PERMISSION OF VYNCKIER ENCLASURE SYSTEMS, INC.

UNLESS OTHERWISE SPECIFIED, DIMENSIONS ARE IN INCHES. DIMENSIONS IN PARENTHESES ARE IN MILLIMETERS. DO NOT SCALE DRAWING. EXEMPTED BY:

VYNCKIER ENCLASURE SYSTEMS, INC.		VYNCKIER PART # SP3090A SUPERPOLYREX SERIES ENCLASURE
DRAWN BY: [blank] CHECKED BY: [blank]	DATE: [blank] SCALE: [blank]	DATE: [blank] SIZE: [blank]