

CATALOG

actuators

**RM** Series  
Rotary Modules



**NUMATICS**

# Table of Contents

## RM Series

---

<b>RM Series</b> .....	3-5
Features and Benefits .....	3
How To Order .....	3
Dimensions .....	4-5



RM- Series Rotary Manifold Utilizes a unique concept in transferring air pressure thru fixed ports to rotating parts on the Rotary Platform. As shown the Rotary Manifold and Gripper is a Clean Compact Assembly which allows the Gripper to rotate freely without Rotating Air lines. The RM-Series Rotary Manifold can be Supplied without Gripper.

### A. LR-Series Rotary Actuator

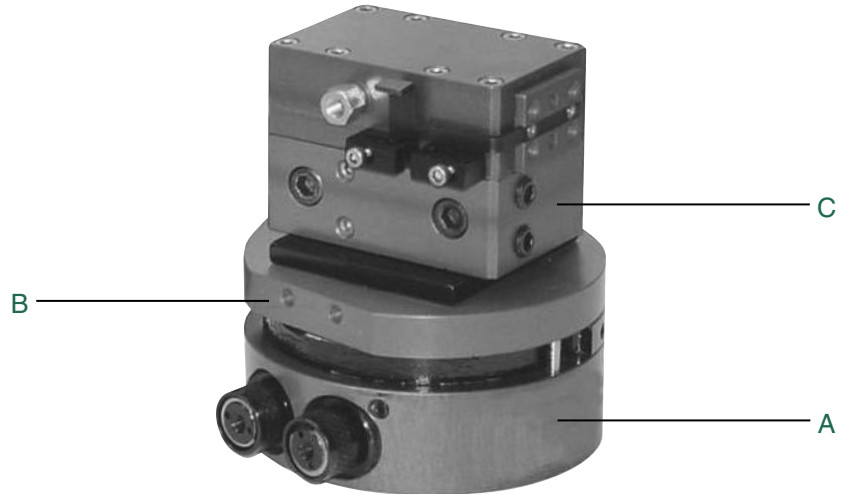
Available on LR06 & LR20 Rotary Actuator

### B. Stationary Flanged Port Plate

Delivers Air Pressure to Rotating Component (Gripper)  
Eliminates Airlines from tangling

### C. Parallel Gripper

Several Series of grippers are available consult this section of catalog.



## How to Order

**RM 1 A 4 C 4 C X**

#### Rotary Actuator

- 1 = LR06 Rotary with WGS50 Gripper
- 2 = LR20 Rotary with WGS50 Gripper
- 3 = LR20 Rotary with WGL50 Gripper
- 4 = LR20 Rotary with WGS90 Gripper
- 5 = LR20 Rotary with WBGS60 Gripper
- 6 = LR60 Rotary with WBGS90 Gripper
- 8 = LR06 Rotary without Gripper
- 9 = LR20 Rotary without Gripper

#### Rotation

- A = 90°
- B = 180°

#### Rotary Actuator Sensing Type

- Standard Cord Set
- 4 = Prox Switch - PNP (sourcing)
- 5 = Prox Switch - NPN (sinking)
- 6 = No Sensing
- Quick Disconnect Cord Set
- W = Prox Switch - PNP (sourcing) Straight
- V = Prox Switch - NPN (sinking) Straight
- U = Prox Switch - PNP (sourcing) 90 Deg.
- T = Prox Switch - NPN (sinking) 90 Deg.
- Prox switches are 5 mm diameter.

#### Special Options

X = No Options

#### Gripper Sensing Position

- A = Single Position Open
- B = Single Position Closed
- C = Two Position Sensing
- D = No Sensing

#### Parallel Gripper Sensing Type

- Standard Cord Set
- 4 = Prox Switch - PNP (sourcing)
- 5 = Prox Switch - NPN (sinking)
- 6 = No Sensing
- Prox switches are 4 mm diameter.

#### Rotary Actuator Sensing Position

- A = Single Position CW
- B = Single Position CCW
- C = Two Position
- D = No Sensing

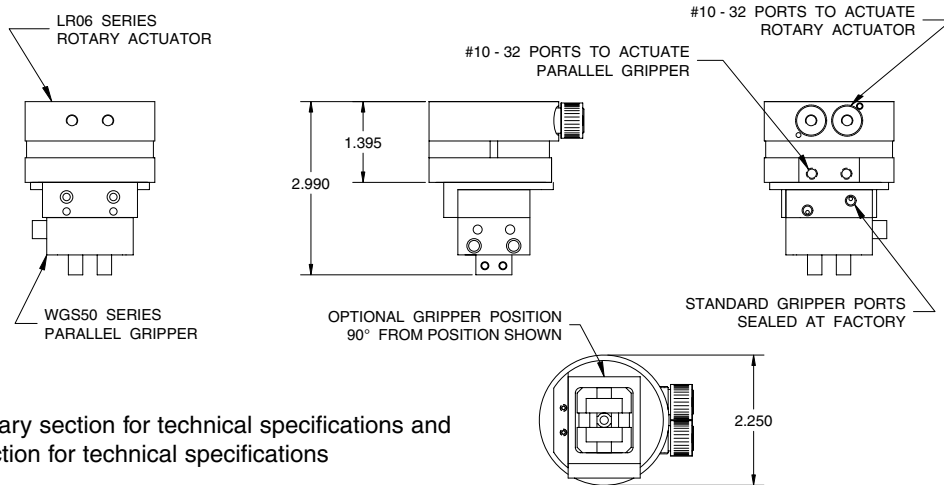
### When ordering additional switches

SWITCH DESCRIPTION	STANDARD PART NO.	QUICK DISCONNECT PART NO.
Prox Switch-PNP (Sourcing)	PX05PS	PX05PQ
Prox Switch-NPN (Sinking)	PX05NS	PX05NQ
Quick Disconnect Cable	-	PXCST
90° 5 meter cable	-	PXC90
Bronze switch housing for LR & RM Rotaries	-	RSH05



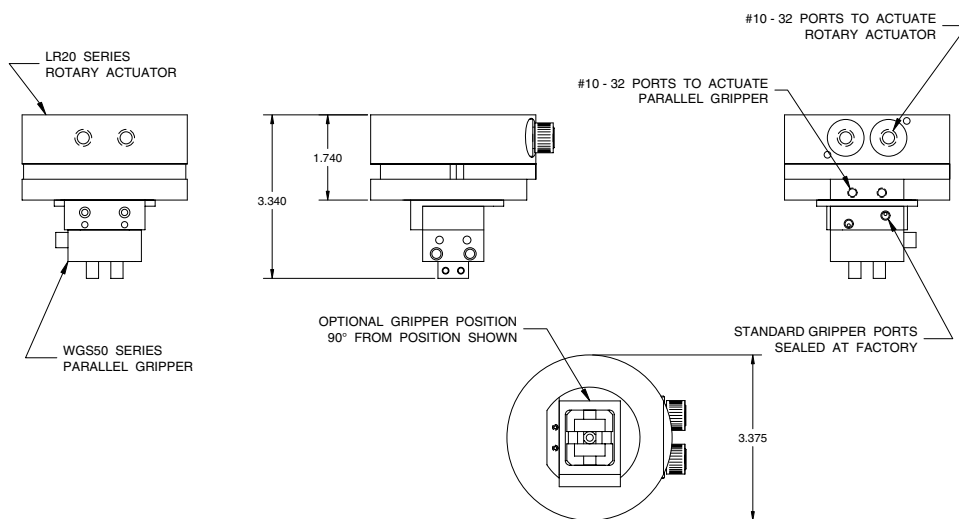
## RM Series

### RM1

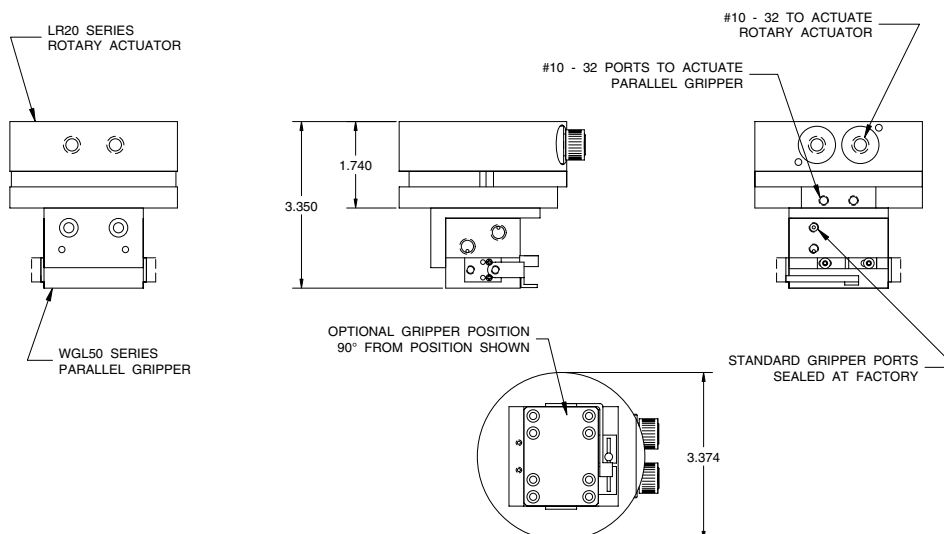


NOTE: Consult Rotary section for technical specifications and consult Gripper section for technical specifications

### RM2

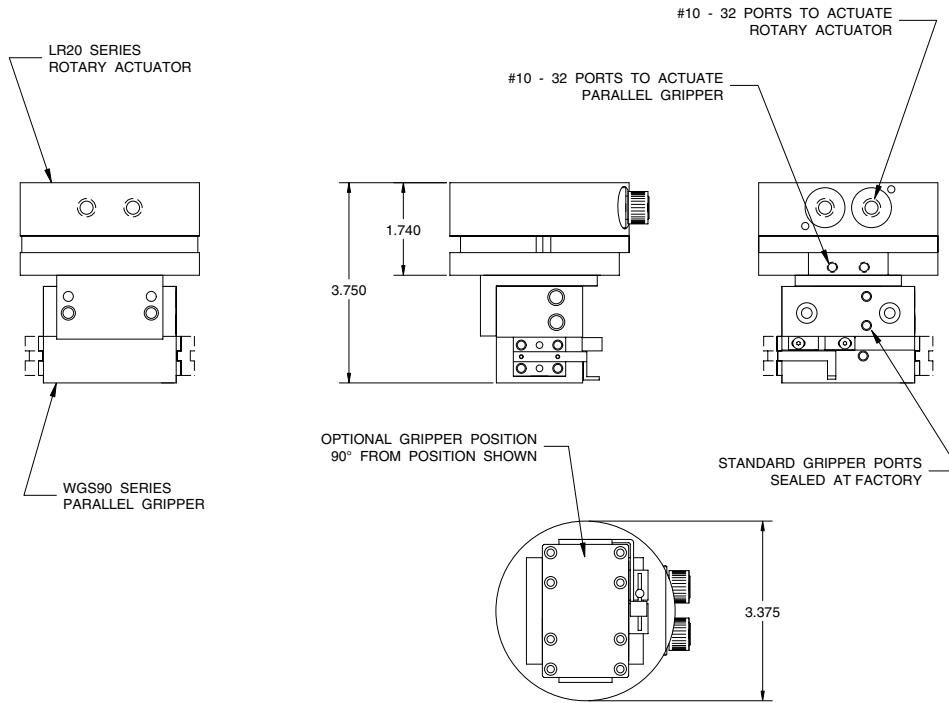


### RM3



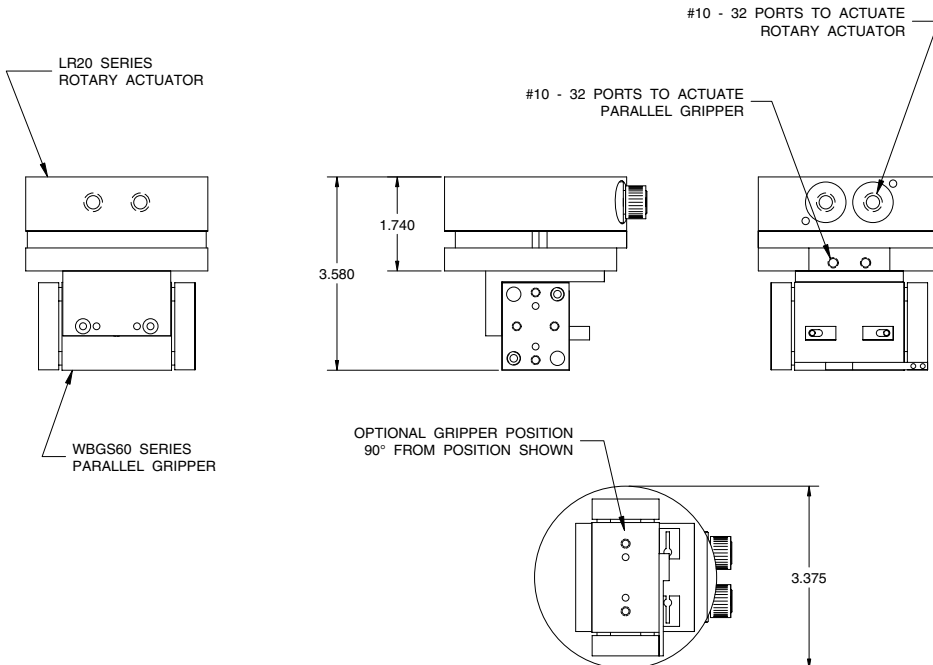


### RM4



NOTE: Consult Rotary section for technical specifications and consult Gripper section for technical specifications

### RM5



# NUMATICS®

World Class Supplier  
of Pneumatic Components



## World Headquarters

### Numatics Incorporated

Phone: 248-887-4111  
Fax: 248-887-9190

## UNITED STATES

### Numatics – Air Preparation

Phone: 810-667-3900  
Fax: 810-667-3902

### Numatics – Valves

Phone: 248-887-4111  
Fax: 248-887-9190

### Numatics – Miniature Valves

Phone: 248-960-1400  
Fax: 248-960-2160

### Numatics – Cylinders

Phone: 615-771-1200  
Fax: 615-771-1201

### Numatics – Rodless Cylinders

Phone: 519-452-1777  
Fax: 519-452-3995

### Numatics – Automation

Phone: 440-934-3200  
Fax: 440-934-2288

## CANADA

### Ontario

Numatics, Ltd.  
Phone: 519-452-1777  
Fax: 519-452-3995

### Quebec

Numatics, Ltd.  
Phone: 514-332-6444  
Fax: 514-332-9273

### British Columbia

Numatics, Ltd.  
Phone: 604-574-0401  
Fax: 604-574-3713

## EUROPE

### Germany – European Headquarters

Numatics GmbH  
Phone: 011-49-22 41-31 60-0  
Fax: 011-49-22 41-31 60 40

### Hungary

Numatics Kft.  
Phone: 011-36-13 82 21 35  
Fax: 011-36-12 04 39 47

## EUROPE

### England

Numatics Limited  
Phone: 011-44-1525-37 07 35  
Fax: 011-44-1525-38 25 67

### France

Numatics s.a.r.l.  
Phone: 011-33-1 41 21 48 88  
Fax: 011-33-1 41 21 48 89

### Italy

Numatics srl  
Phone: 011-39-030-373 19 99  
Fax: 011-39-030-373 19 81

### Netherlands

Numatics B.V.  
Phone: 011-31-418-65 29 50  
Fax: 011-31-418-65 29 43

### Spain

Numatics Spain S.L.  
Phone: 011-34-93-221 21 96  
Fax: 011-34-93-221 35 14

## AFRICA

### South Africa

Numatics SA (Pty) Ltd.  
Phone: 011-27-11-8 65 44 52  
Fax: 011-27-11-8 65 42 90

## LATIN & SOUTH AMERICA

### Mexico

Numatics de Mexico S.A. de C.V.  
Phone: 011-52-222-284 6176  
Fax: 011-52-222-284 6179

### Brazil

Valvair Comercial Ltda.  
Phone: 011-55-12-351 2874  
Fax: 011-55-12-351 1958

## ASIA & PACIFIC

### Australia

Numatics Australia Pty. Ltd.  
Phone: 011-61-3-95 63 86 00  
Fax: 011-61-3-95 63 85 11

### Taiwan – Asian Headquarters

Numatics Co, Ltd. Asia  
Phone: 011-886-2-29 15 16 05  
Fax: 011-886-2-29 14 18 97

For a comprehensive listing of all Numatics production and distribution facilities worldwide, visit [www.numatics.com](http://www.numatics.com)