
PG6J80 <i>Series 6 Jaw Gripper with Ejectors</i>	3-5
Features and Benefits	3
How To Order	3
Dimensions and Specifications	4
Switch Information	5



The series 6 finger gripper design utilizes a dual acting piston to open and close gripper jaws. All six jaws are synchronized for accurate positioning. The included ejectors operate independent of the gripper jaws, providing a convenient method to strip parts from the jaws. An example of this could be, expanding an o-ring and pushing it on to the desired part.

A. Body

Hardcoat, anodized, Teflon impregnated aluminum, lightweight durable.

B. Jaws

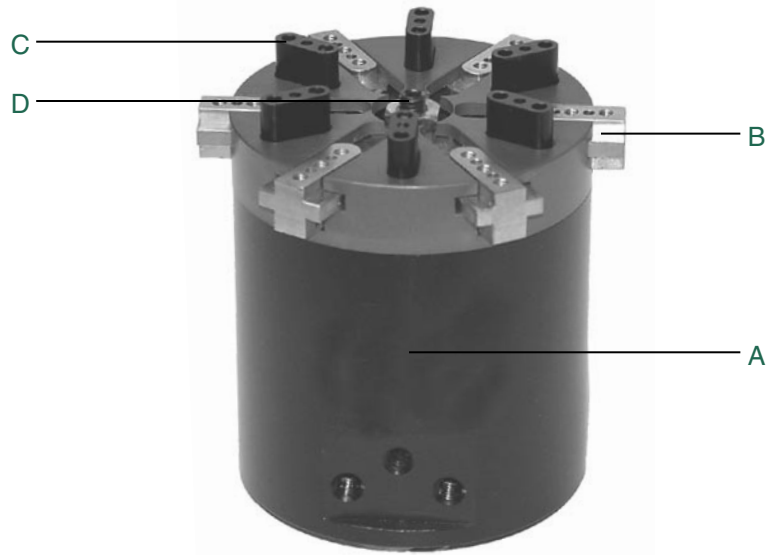
T-slot design for superior load bearing support, six jaws in synchronized parallel motion.

C. Ejectors

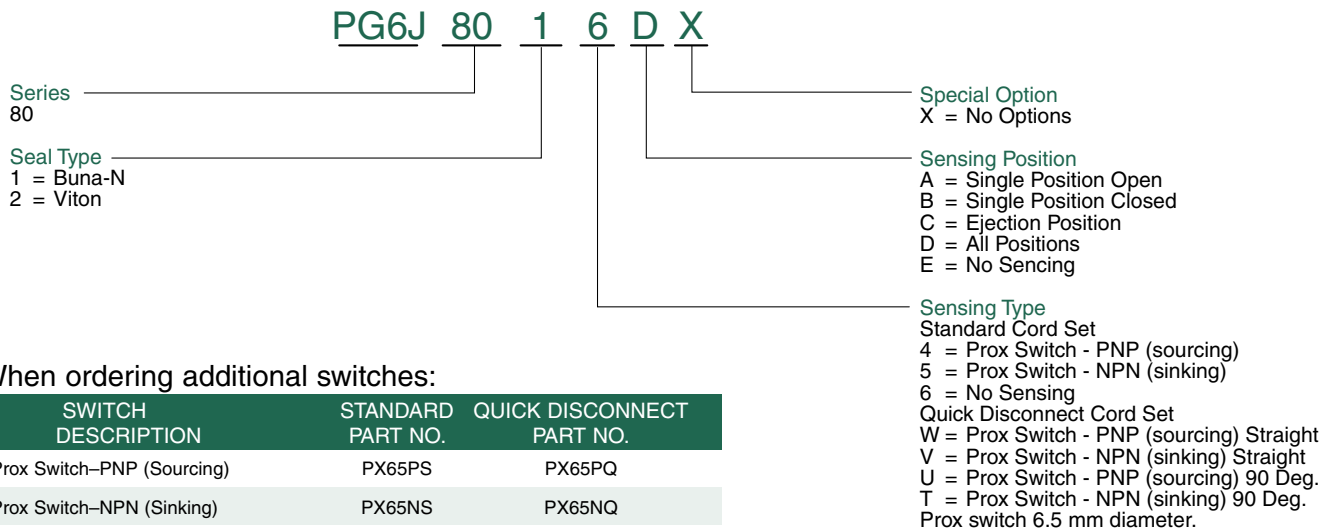
Independent motion from jaws. Single acting, air pressure to extend, spring return. All ejectors extend and retract together.

D. Stroke adjustment

Easy access stroke adjustment screw provides precise controllability of jaw travel. Locking jam nut secures adjusted position.



How to Order



When ordering additional switches:

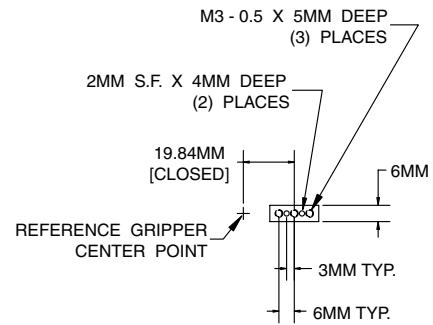
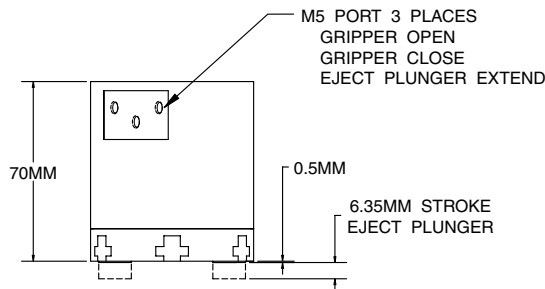
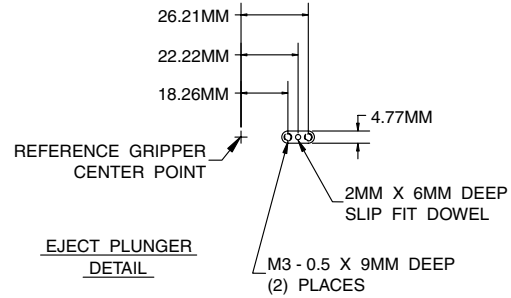
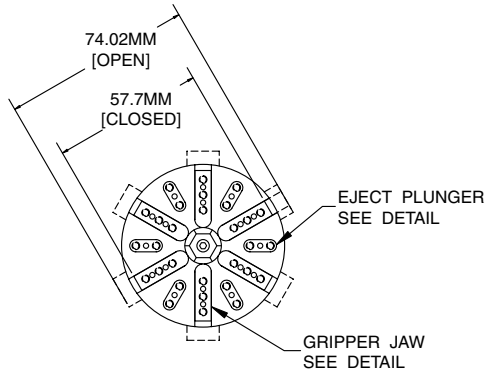
SWITCH DESCRIPTION	STANDARD PART NO.	QUICK DISCONNECT PART NO.
Prox Switch-PNP (Sourcing)	PX65PS	PX65PQ
Prox Switch-NPN (Sinking)	PX65NS	PX65NQ
Quick Disconnect Cable	-	PXCST
90° 5 meter cable	-	PXC90



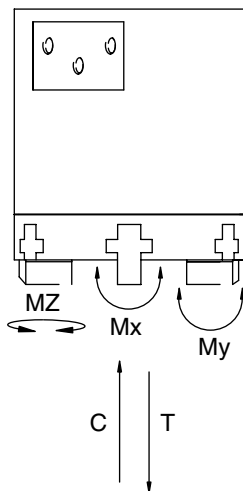
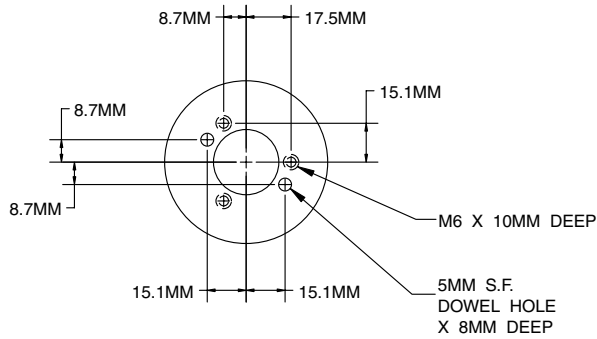
PG6J80 Series 6 Jaw Gripper with Ejectors

NUMATICS®

PG6J80 Series



GRIPPER JAW
DETAIL



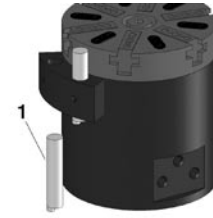
Specifications

	PG6J80
Grip force @ 100 psi	81 lb
Stroke (Spreading Jaw)	0.640 Adjustable
Stroke (Ejecting Jaws)	0.250
Repeatability	+/-0.002
Bore Dia.	1.0
Operating Temp.	
Buna-N	-30-180°F
Viton	-20-300°F
Max. Actuation Speed	0.2 Sec.
Unit Weight	1.25 lbs
Max. Pressure	150 psi
JAW LOADING	
C-Compression	60 lbs
T-Tension	60 lbs
Mx	60 in.-lbs.
My	60 in.-lbs.
Mz	60 in.-lbs.



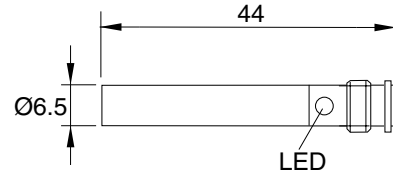
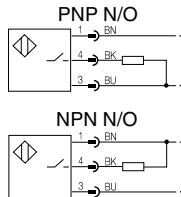
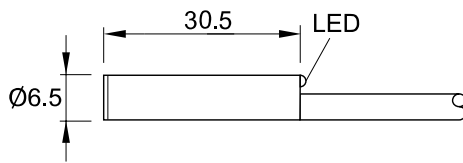
PG6J80 Series Switch Information

SWITCH OR BRACKET DESCRIPTION	STANDARD PART NO.	QUICK DISCONNECT PART NO.
1 Prox Switch PNP	PX65PS	PX65PQ
1 Prox Switch NPN	PX65NS	PX65NQ



Prox Switch (NPN NO) Flying Leads - PX65NS
(PNP NO) Flying Leads - PX65PS

Prox Switch (NPN NO) 8 mm connector - PX65NQ
(PNP NO) 8 mm connector - PX65PQ



Sensing Data

Repeat accuracy R		≤5%
Ambient temperature range θ_d	(°C)	-25...+70°C
Operating frequency f	(Hz)	1000
Utilization categories	(DC)	13
Function indication		YES

Electrical Data

Rated operational voltage U_e	(V)	24 DC
Supply voltage U_B	(V)	10...30 DC
Voltage drop U_d at I_e Stat./dyn.	(V)	≤2.5
Rated insulation voltage U_i	(V)	75 VDC
Load current capacity	(mA)	200
Current consumption	(mA)	≤25 / ≤12
Off-State Current I_r	(uA)	≤80
Protected against polarity reversal		YES
Short circuit protected		YES
Load Capacitance	(uF)	≤1.00

Mechanical Data

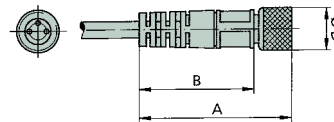
Degree of protection per IEC 529	IP 67
Housing material	stainless steel
Material of sensing face	PA 12
Connection	cable
No. of wires x gauge	3 x 26 AWG
Approvals	cULus

Female Connectors for Reed Switches and Hall Effect Sensors

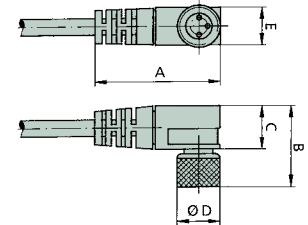
Dimensions (mm)

TYPE	ORDER CODE
Straight, 5 m Cable	PXCST
Elbow, 5 m Calbe	PXC90

Straight Type



Elbow Type



NUMATICS®

World Class Supplier
of Pneumatic Components



World Headquarters

Numatics Incorporated
Phone: 248-887-4111
Fax: 248-887-9190

UNITED STATES

Numatics – Air Preparation
Phone: 810-667-3900
Fax: 810-667-3902

Numatics – Valves

Phone: 248-887-4111
Fax: 248-887-9190

Numatics – Miniature Valves

Phone: 248-960-1400
Fax: 248-960-2160

Numatics – Cylinders

Phone: 615-771-1200
Fax: 615-771-1201

Numatics – Rodless Cylinders

Phone: 519-452-1777
Fax: 519-452-3995

Numatics – Automation

Phone: 440-934-3200
Fax: 440-934-2288

CANADA

Ontario
Numatics, Ltd.
Phone: 519-452-1777
Fax: 519-452-3995

Quebec

Numatics, Ltd.
Phone: 514-332-6444
Fax: 514-332-9273

British Columbia

Numatics, Ltd.
Phone: 604-574-0401
Fax: 604-574-3713

EUROPE

Germany – European Headquarters

Numatics GmbH
Phone: 011-49-22 41-31 60-0
Fax: 011-49-22 41-31 60 40

Hungary

Numatics Kft.
Phone: 011-36-13 82 21 35
Fax: 011-36-12 04 39 47

EUROPE

England

Numatics Limited
Phone: 011-44-1525-37 07 35
Fax: 011-44-1525-38 25 67

France

Numatics s.a.r.l.
Phone: 011-33-1 41 21 48 88
Fax: 011-33-1 41 21 48 89

Italy

Numatics srl
Phone: 011-39-030-373 19 99
Fax: 011-39-030-373 19 81

Netherlands

Numatics B.V.
Phone: 011-31-418-65 29 50
Fax: 011-31-418-65 29 43

Spain

Numatics Spain S.L.
Phone: 011-34-93-221 21 96
Fax: 011-34-93-221 35 14

AFRICA

South Africa

Numatics SA (Pty) Ltd.
Phone: 011-27-11-8 65 44 52
Fax: 011-27-11-8 65 42 90

LATIN & SOUTH AMERICA

Mexico

Numatics de Mexico S.A. de C.V.
Phone: 011-52-222-284 6176
Fax: 011-52-222-284 6179

Brazil

Valvair Comercial Ltda.
Phone: 011-55-12-351 2874
Fax: 011-55-12-351 1958

ASIA & PACIFIC

Australia

Numatics Australia Pty. Ltd.
Phone: 011-61-3-95 63 86 00
Fax: 011-61-3-95 63 85 11

Taiwan – Asian Headquarters

Numatics Co, Ltd. Asia
Phone: 011-886-2-29 15 16 05
Fax: 011-886-2-29 14 18 97

For a comprehensive listing of all Numatics production and distribution facilities worldwide, visit www.numatics.com