

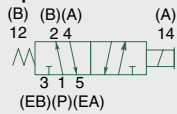


---

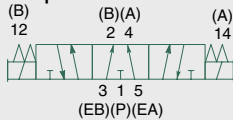
<b>Mark 15 &amp; PA 15 Series</b> .....	3-22
Technical and Operating Data .....	3-4
How to Order .....	5-8
Valve on Individual Base .....	9-10
Manifold Assembly .....	11-12
Sandwich Pressure Regulators .....	13
Sandwich Pressure Regulator Dimensions .....	14
Check Assembly Kits .....	14
Regulator Service Kit .....	15
Valve, Speed Control, and Regulator Plug-in Assembly-Mark 15 .....	15
End Plate Kits .....	16
Blank Station Plate Kit .....	16
Blocking Disc Kit .....	16
Adaptor Kits with End Plates .....	16
Speed Control Kits .....	17
Base Assembly Kits .....	18
Flexiblok Manifold Kits .....	19
Service Kits and Parts .....	20-21
Solenoid Capsule Assemblies .....	22
Plug Assemblies .....	22



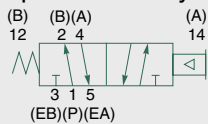
single solenoid  
2 position 4-way



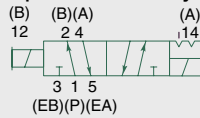
double solenoid  
3 position 4-way  
open center



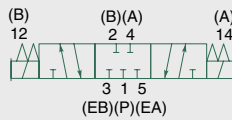
single air pilot  
2 position 4-way



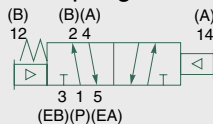
double solenoid  
2 position 4-way



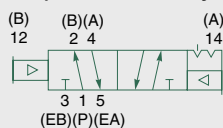
double solenoid  
3 position 4-way  
closed center



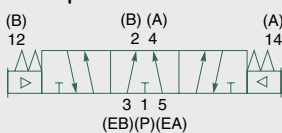
double air pilot  
2 position 4-way  
with spring offset



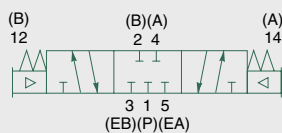
double air pilot  
2 position 4-way



double air pilot  
3 position 4-way  
open center



double air pilot  
3 position 4-way  
closed center



5 Ported, 2 and 3 position, 4-way, Spool & Sleeve  
Cv: 1.5

- Direct solenoid or air pilot actuated
- Plug-in solenoid with indicator light
- Unlubricated or lubricated service
- Integral speed control available
- Integral regulators available
- NEMA 4 / IP65
- Body to base plug-in



double solenoid  
3 Position 4-Way (5/3),  
open to 4 (A) and  
2 (B) in center



double air pilot  
3 Position 4-Way (5/3),  
open to 4 (A) and  
2 (B) in center



## Technical Data

VALVE DATA	ENGLISH		METRIC MARK 15 ONLY	
Cv	1/4 NPTF = 1.4	3/8 NPTF = 1.5	1/4 G Tap = 1.4	3/8 G Tap = 1.5
Flow Capacity	65 SCFM Upstream pressure to atmosphere @80 PSIG		69 SCFM 1379 NI/m @ 6 bar upstream/5 bar downstream	
Operating Pressure Range	28" Hg. Vacuum to 150 PSIG		Vacuum to 10 Bar	
Temperature Range (ambient)	-10°F to +115°F		-23°C to +46°C	
Pilot Pressure Range (PA15)	2-position, single, spring return 2-position, double, detented all 3-position models		20 to 125 PSIG 15 to 125 PSIG 20 to 125 PSIG	



## Mark 15 & PA 15 Series

### Operating Data

ALL SOLENOIDS ARE CONTINUOUS DUTY RATED		12 VDC	24 VDC	24 VAC 50 Hz.	24 VAC 60 Hz.	115 VAC 50 Hz.	120 VAC 60 Hz.	230 VAC 50 Hz.	240 VAC 60 Hz.
Power (Watts)		6.0	6.0	N/A	N/A	N/A	N/A	N/A	N/A
Holding Current (Amps.)		0.500	0.250	0.590	0.420	0.110	0.090	0.070	0.050
Inrush Current (Amps.)		N/A	N/A	2.850	2.530	0.630	0.580	0.310	0.290
Energize in seconds	2-Position, Single, Spring Return	0.038	0.034	0.010	0.010	0.010	0.010	0.010	0.010
	2-Position, Double, Detented	0.035	0.035	0.010	0.010	0.010	0.010	0.010	0.010
	3-Position, Spring Centered	0.040	0.040	0.010	0.010	0.010	0.010	0.010	0.010
De-energize in seconds	2-Position, Single, Spring Return	0.016	0.011	0.015	0.015	0.015	0.015	0.015	0.015
	2-Position, Double, Detented	N/A	N/A	N/A	N/A	N/A	N/A	N/A	N/A
	3-Position, Spring Centered	0.010	0.010	0.012	0.012	0.012	0.012	0.012	0.012



### How to Order Valves

**153 SA 4 15 K 0 000 30**

#### Valve Series & Port Size

- 152\* = 1/4
- 153 = 3/8
- \*Valve unit only.

#### Valve Type

- SA = Single Solenoid, Spring Return w/Flush Non-locking Override
- SS = Double Direct Solenoid w/Flush Non-locking Override (Standard)
- JA = Single Air Pilot, Spring Return w/Flush Non-Locking Override (Std.)
- JJ = Double Air Pilot w/Flush Non-Locking Override
- JK = Double Air Pilot, Spring Return w/Flush Non-Locking Override

#### Function

- 4 = 2 Position, 4-Way
- 5 = 3 Position, 4-Way Open Center
- 6 = 3 Position, 4-Way Closed Center
- 7 = 3 Position 4-Way (5/3), Open to 4 (A) and 2 (B) in Center
- 0 = Manifold Block w/o Valve
- P = Manifold Block, w/ Blank Station Plate

#### Mounting

- 00 = Valve Unit, w/o Mounting
- 01 = Valve Unit, Speed Control, w/o Mounting
- 02 = Valve Unit w/ Long Screws for Speed Control
- 15 = Manifold Block, Side and Bottom Cylinder Ports
- 16 = Manifold Block, Side and Bottom Cylinder Ports, Auxiliary Inlet
- 1B = Manifold Block, Side and Bottom Cylinder Ports, Alternate Outlet
- 18 = Manifold Block, Side and Bottom Cylinder Ports, Alternate Outlet & Auxiliary Inlet
- 25 = Manifold Block, Side and Bottom Cylinder Ports, Speed Control
- 3A = Plug-in Base, Individual Exhaust, Side Cylinder Ports, (Mark 15 only)
- 3B = Plug-in Base, Individual Exhaust, Side and Bottom Cylinder Ports, (Mark 15 only)
- 3C = Plug-in Base, Individual Exhaust, Side Cylinder Ports, Speed Control (Mark 15 only)
- 3D = Plug-in Base, Individual Exhaust, Side and Bottom Cylinder Ports, Speed Control (Mark 15 only)
- 31 = Plug-in Base, Common Exhaust, Side Cylinder Ports (Mark 15 only)
- 32 = Plug-in Base, Common Exhaust, Side and Bottom Cylinder Ports (Mark 15 only)
- 35 = Plug-in Base, Common Exhaust, Side Cylinder Ports, Speed Control (Mark 15 only)
- 36 = Plug-in Base, Common Exhaust, Side and Bottom Cylinder Ports, Speed Control (Mark 15 only)
- 41 = Base, Individual Exhaust, Side Cylinder Ports (PA15 only)
- 43 = Base, Individual Exhaust, Side and Bottom Cylinder Ports (PA15 only)
- 44 = Base, Common Exhaust, Side Cylinder Ports (PA15 only)
- 46 = Base, Individual Exhaust, Side Cylinder Ports, Speed control (PA15 only)
- 48 = Base, Individual Exhaust, Side and Bottom Cylinder Ports, Speed Control (PA15 only)
- 49 = Base, Common Exhaust, Side Cylinder Ports, Speed Control (PA15 only)
- 54 = Base, Common Exhaust, Side and Bottom Cylinder Ports (PA15 only)
- 55 = Base, Common Exhaust, Side and Bottom Cylinder Ports, Speed Control (PA15 only)

#### Voltage

- 00 = Manifold Block, w/o Valve
- 20 = 24 VAC, 50-60 Hz
- 30 = 110-120 VAC, 50-60 Hz
- 40 = 220-240 VAC, 50-60 Hz
- 60 = 12 VDC
- 61 = 24 VDC

#### Options

- 000 = No Options
- 11B = Flush Locking Manual Override
- 11Y = Extended Non-Locking Manual Override
- 11Z = Extended Locking Manual Override
- 12A = Viton Seals on Sleeve Assembly
- 12B = Lubricant Free Assembly
- 13A = 4 Foot Leads
- 15W = 5-Pin Straight Mini Connector in Mounting; Pin 1=A+(14+), 2=A-(14-), 3=Gnd, 4=B+(12+), 5=B-(12-)
- 16T = Adds Bottom P (1) Port to Mounting
- 17N = Surge Suppression (DC Only)
- 19M = Terminal Block in Mounting
- 46T = Zinc Plated Solenoid Armature (AC Only)
- 47J = 5-Pin Straight Mini Connector in Mounting; Pin 1=B+(12+), 2=A-(14-), 3=Gnd, 4=A+(14+), 5=B-(12-)
- 56Y = 4 Pin Straight Micro Connector in Mounting; Pin 1=Not Used, 2=12+(B+), 3=Com, 4=14+(A+)

#### Combination Options

- 41W = (11B) Flush Locking Manual Override & (17N) Surge Suppression (DC Only)
- 48S = (11B) Flush Locking Manual Override & (19M) Terminal Block in Mounting
- 26K = (11B) Flush Locking Manual Override & (46T) Zinc Plated Solenoid Armature (AC Only)
- 46Z = (11Z) Extended Locking Manual Override & (17N) Surge Suppression (DC Only)
- 26C = (11Z) Extended Locking Manual Override & (19M) Terminal Block in Mounting
- 48Q = (11Z) Extended Locking Manual Override & (46T) Zinc Plated Solenoid Armature (AC Only)
- 46P = (17N) Surge Suppression (DC Only) & (19M) Terminal Block in Mounting

#### Port Type

- 0 = NPTF Pressure Ports w/ NPTF Conduit Ports or Valve Unit w/o Mounting
- G = ISO228/1-G Pressure Ports w/ ISO Metric - 1.5mm Pitch Conduit Ports

#### Wiring Option

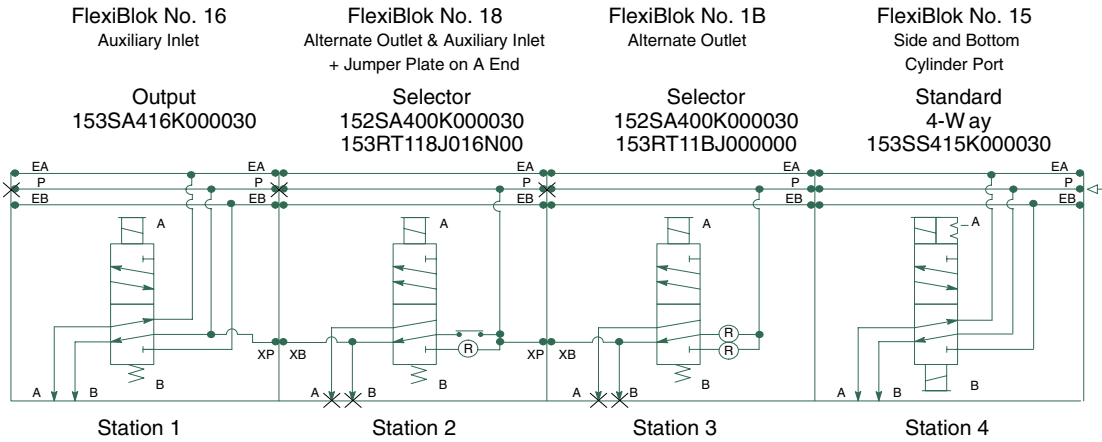
- K = Plug-in, w/ Light, VAC
- M = Plug-in, w/ Light, VDC
- 2 = DIN Plug-in Solenoid, VAC
- 4 = DIN Plug-in Solenoid, VDC
- 6 = DIN Plug-in Solenoid, w/ Light, VAC
- O = Non Plug-in (hardwired), VAC or Mounting Only w/ Electrical Receptacle
- B = Non Plug-in (hardwired), VDC or Mounting Only w/o Electrical Receptacle



## Mark 15 & PA 15 Series

### Flexiblok Diagrams

Sample diagram with regulators Mark 15 3-pressure selector Flexiblok with output valve and separate 4-way (3/8 NPTF).



Blocking discs must be installed in "P" gallery, as shown.



### How to Order continued

#### Regulators

153 RS 1 15 J 0 000 00

#### Valve Series & Port Size

152\* = 1/4

153 = 3/8

\*Regulator unit only.

#### Regulator Type

RS = Single Pressure to Valve P(1)

RD = Dual Pressure to Valve EB(3) & EA(5)

RC = Dual Pressure w/ Non-Relieving Checks to Valve EB(3) & EA(5)

RQ = Dual Pressure w/ Relieving Checks to Valve EB(3) & EA(5)

RE = External Jumper Plate, Dual Pressure to Ports A(4) & B(2)

RT = Dual Pressure to Valve P(1) & EB(3)

#### Pressure Range

1 = 10-130 PSIG (0.7-9 bar)

3 = 3-30 PSIG (0.2-2 bar)

4 = 5-60 PSIG (0.3-4.1 bar)

#### Mounting

00 = Regulator Unit, w/o Mounting

15 = Manifold Block, Side and Bottom Cylinder Ports

16 = Manifold Block, Side and Bottom Cylinder Ports, Auxiliary Inlet

1B = Manifold Block, Side and Bottom Cylinder Ports, Alternate Outlet

18 = Manifold Block, Side and Bottom Cylinder Ports, Alternate Outlet & Auxiliary Inlet

25 = Manifold Block, Side and Bottom Cylinder Ports, Speed Control

3A = Plug-in Base, Individual Exhaust, Side Ports (Mark 15 only)

3B = Plug-in Base, Individual Exhaust, Side and Bottom Ports (Mark 15 only)

3C = Plug-in Base, Individual Exhaust, Side Ports, Speed Control (Mark 15 only)

3D = Plug-in Base, Individual Exhaust, Side and Bottom Ports, Speed Control (Mark 15 only)

31 = Plug-in Base, Common Exhaust, Side Ports (Mark 15 only)

32 = Plug-in Base, Common Exhaust, Side and Bottom Ports (Mark 15 only)

35 = Plug-in Base, Common Exhaust, Side Ports, w/ Speed Control (Mark 15 only)

36 = Plug-in Base, Common Exhaust, Side and Bottom Ports, w/ Speed Control (Mark 15 only)

41 = Base, Individual Exhaust, Side ports (PA15 only)

43 = Base, Individual Exhaust, Side and Bottom Ports (PA15 only)

44 = Base, Common Exhaust, Side Ports (PA15 only)

46 = Base, Individual Exhaust, Side Ports w/ Speed control (PA15 only)

48 = Base, Individual Exhaust, Side and Bottom Ports w/ Speed Control (PA15 only)

49 = Base, Common Exhaust, Side Ports with Speed Control (PA15 only)

54 = Base, Common Exhaust, Side and Bottom Ports (PA15 only)

55 = Base, Common Exhaust, Side and Bottom Ports w/ Speed Control (PA15 only)

#### Voltage

00 = No Voltage

#### Options

##### Single Options

000 = No Options

12H = Regulator Less Gauge

13A = 4 Foot Leads

15W = 5-Pin Straight Mini Connector in Mounting; Pin 1=A+, 2=A-, 3=Gnd, 4=B+, 5=B-

19M = Terminal Block in Mounting

16N = Jumper for Supply Pressure to Valve, A (14) End

16P = Jumper for Supply Pressure to Valve, B (12) End

16T = Adds Bottom P (1) Port to Mounting

16W = Fitting(s) for Top Facing Gauge

16Y = Regulator Less Gauge and Fittings

17A = Plugged Regulator Gauge Port

47J = 5-Pin Straight Mini Connector in Mounting; Pin 1=B+(12+), 2=A-(14-), 3=Gnd, 4=A+(14+), 5=B-(12-)

56Y = 4 Pin Straight Micro Connector in Mounting; Pin 1=Not Used, 2=12(B+), 3=Com, 4=14(A+)

#### Combination Options

27J = (12H) Regulator Less Gauge & (16N) Jumper for Supply Pressure to Valve, A (14) End

27K = (12H) Regulator Less Gauge & (16P) Jumper for Supply Pressure to Valve, B (12) End

27M = (16P) Jumper for Supply Pressure to Valve, B (12) End & (16W) Fitting(s) for Top Facing Gauge

27P = (16N) Jumper for Supply Pressure to Valve, A (14) End & (16W) Fitting(s) for Top Facing Gauge

27Q = (12H) Regulator Less Gauge & (16W) Fitting(s) for Top Facing Gauge

45E = (16N) Jumper for Supply Pressure to Valve, A (14) End & (16Y) Regulator Less Gauge and Fittings

46F = (16W) Fitting(s) for Top Facing Gauge & (19M) Terminal Block in Mounting

48D = (16P) Jumper for Supply Pressure to Valve, B (12) End & (19M) Terminal Block in Mounting

48G = (16N) Jumper for Supply Pressure to Valve, A (14) End & (19M) Terminal Block in Mounting

54A = (16P) Jumper for Supply Pressure to Valve, B (12) End & (16Y) Regulator Less Gauge and Fittings

58Z = (12H) Regulator Less Gauge & (19M) Terminal Block in Mounting

67P = (16Y) Regulator Less Gauge and Fittings & (19M) Terminal Block in Mounting

#### Port Type

0 = NPTF Pressure Ports w/ NPTF Conduit Ports or Valve Unit w/o Mounting

G = ISO228/1-G Pressure Ports w/ ISO Metric - 1.5mm Pitch Conduit Ports

#### Wiring Option

J = Plug-in Receptacle Assembly (MK 15 only)

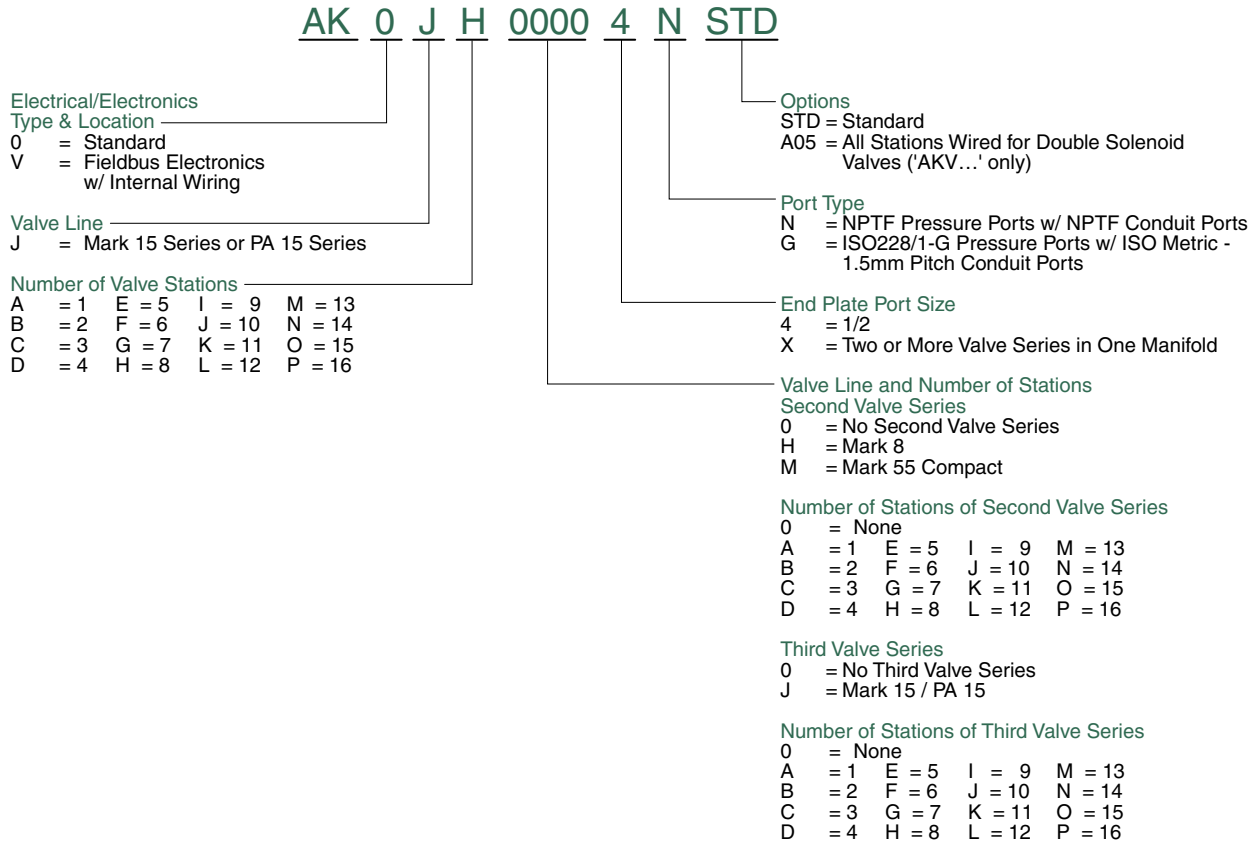
O = Non Plug-In (PA 15 only)



## Mark 15 & PA 15 Series

### How to Order continued

#### Manifold Assembly



Example order:

List in order, left to right, facing cylinder ports

Assembly Kit	AK0JF00004NSTD
Station 1	153SA415M000061
Station 2	153SS425M000061
Station 3 & 4	152SA415M000061
Station 5	152SS615M000061
Station 6	153SS425M000061
	ASSEMBLED

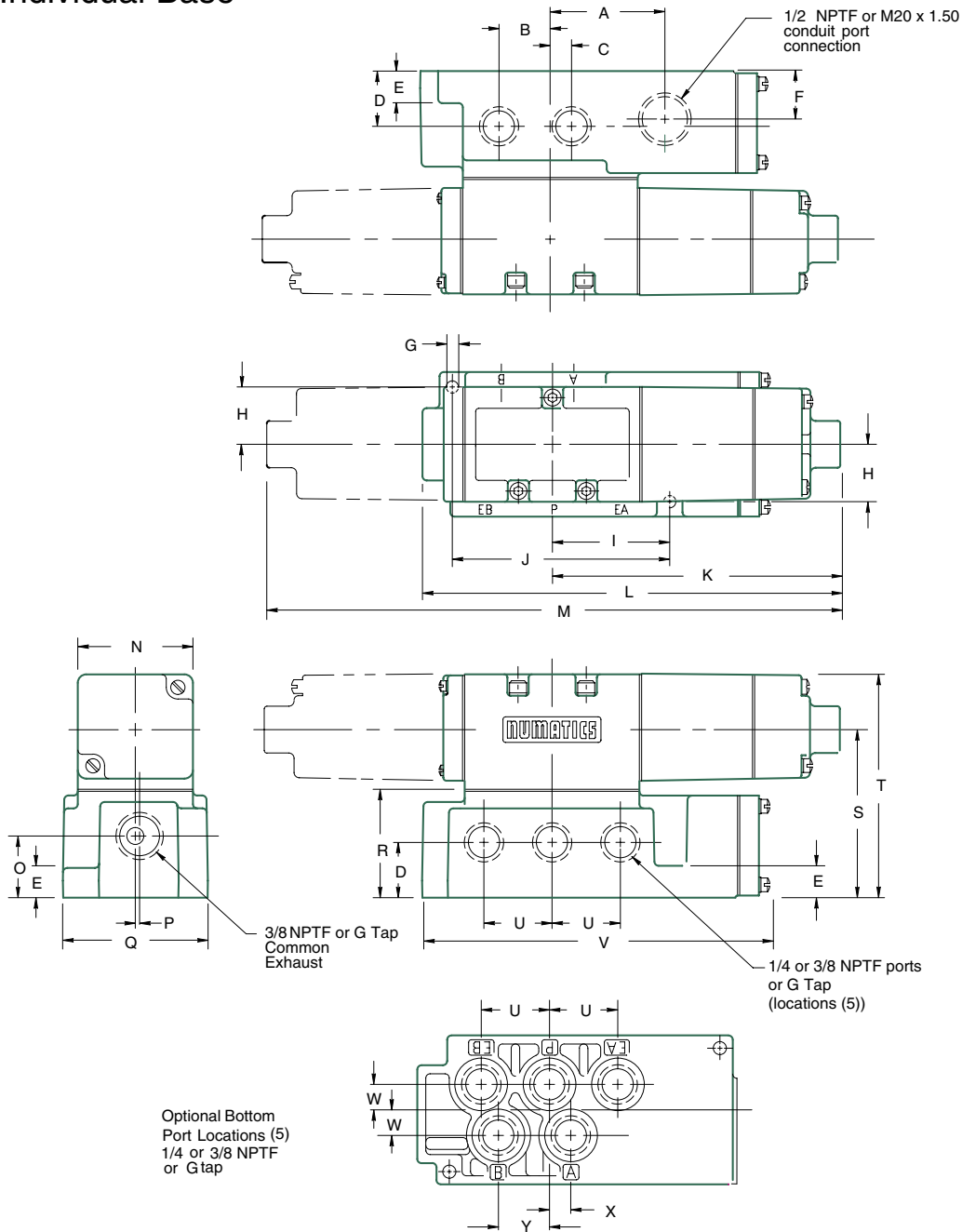
Example order (multiple valve lines):

List in order, left to right, facing cylinder ports

Assembly Kit	AK0MBJD00XNSTD
Station 1	554SS42AK046T30
Station 2	554SS42AK046T30
Station 3 & 4	153SS415K016T30
Station 5	152SA415K000030
Station 6	152SS425K011Z30
	ASSEMBLED



### Mark 15 Valve on Individual Base



### Dimensions

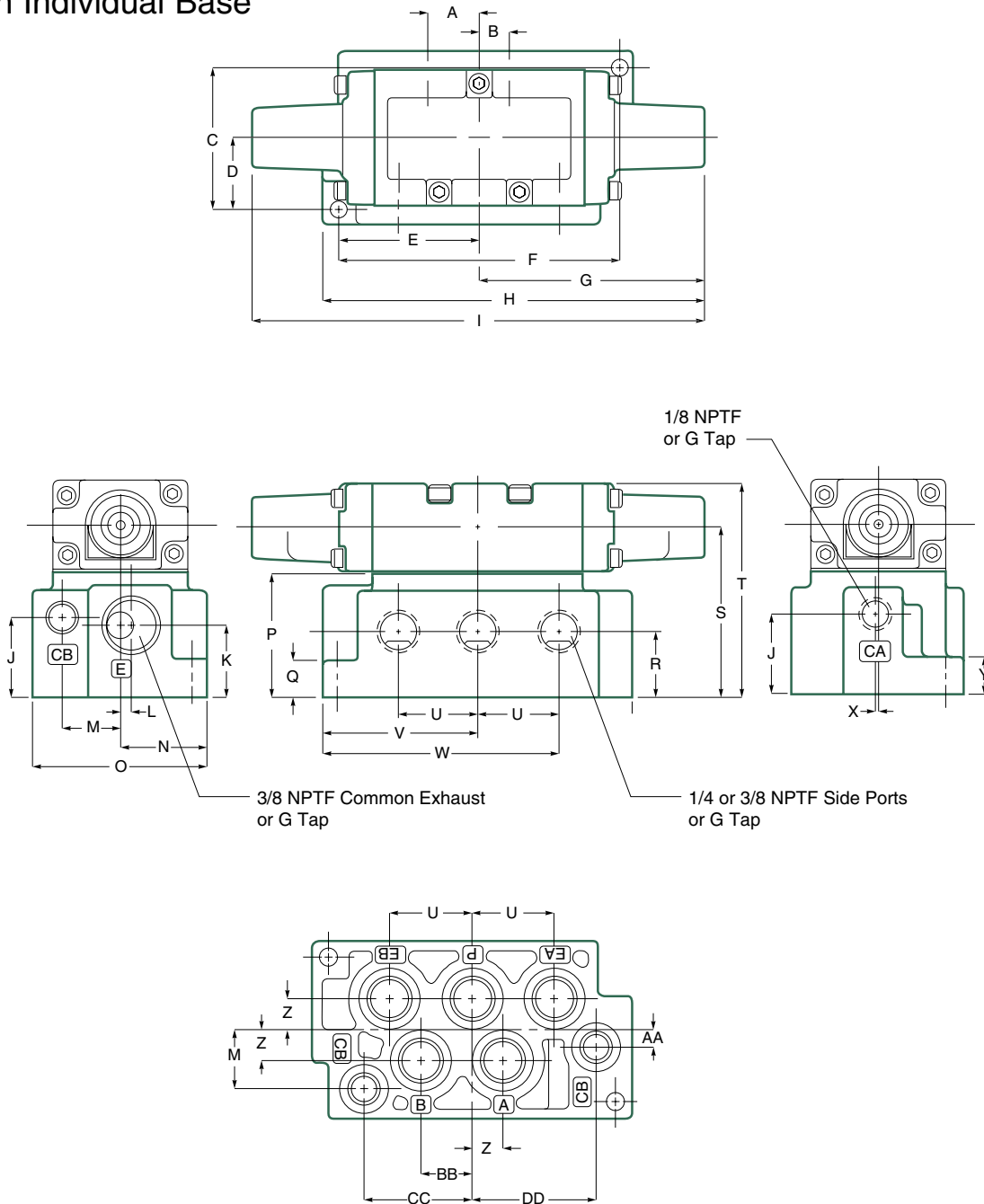
top dimensions = inches and bottom dimensions (in parenthesis) = millimeters

A	B	C	D	E	F	G	H	I	J	K (AC)	K (DC)	L (AC)	L (DC)	M (AC)
1.72 (43.7)	0.78 (19.8)	0.31 (7.9)	0.84 (21.3)	0.47 (11.9)	0.72 (18.3)	0.20 (5.1)	0.88 (22.4)	1.75 (44.5)	3.25 (82.6)	4.43 (112.5)	4.95 (125.7)	6.34 (161.0)	6.86 (174.2)	8.86 (225.0)
M (DC)	N	O	P	Q	R	S	T	U	V	W	X	Y		
9.90 (251.5)	1.70 (44.7)	0.91 (23.0)	0.06 (1.5)	2.16 (54.9)	1.56 (39.6)	2.47 (62.7)	3.30 (83.8)	1.00 (25.4)	5.11 (130.0)	0.38 (9.6)	0.31 (7.9)	0.78 (19.8)		



## Mark 15 & PA 15 Series

### PA 15 Valve on Individual Base



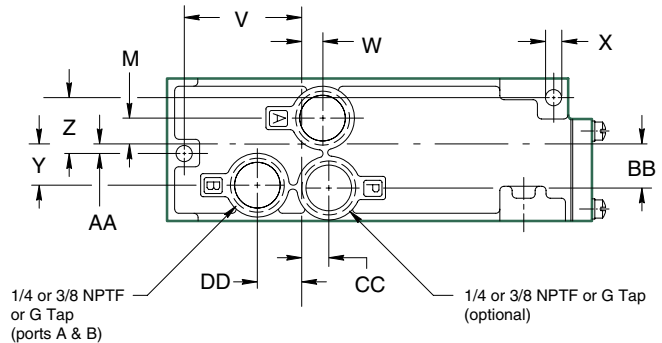
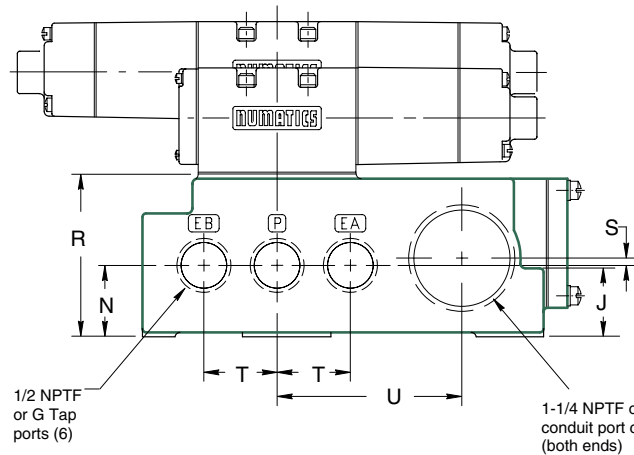
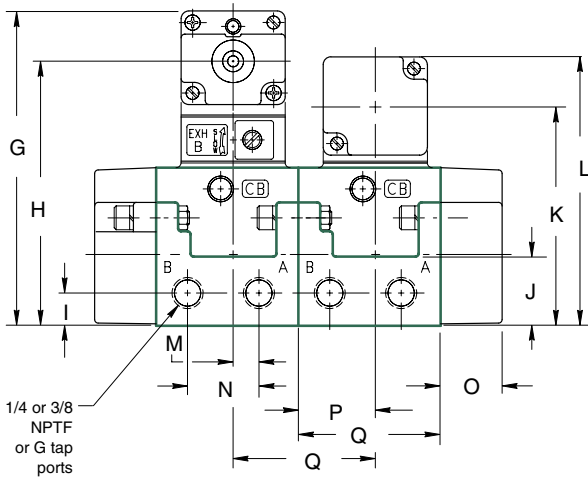
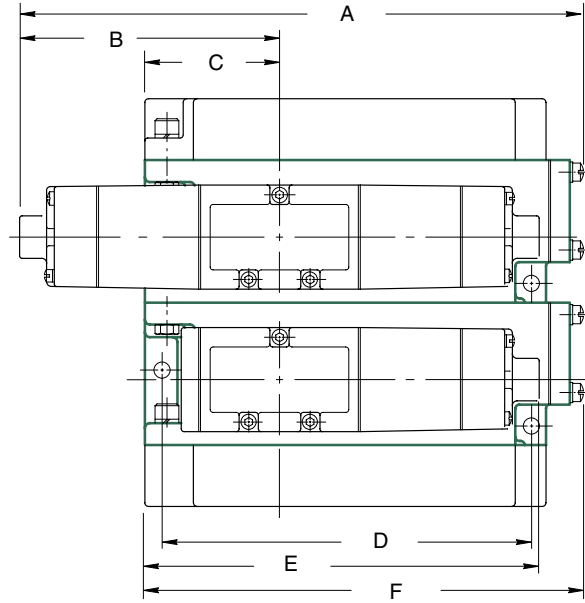
### Dimensions

top dimensions = inches and bottom dimensions (in parenthesis) = millimeters

A	B	C	D	E	F	G	H	I	J	K	L	M	N	O
0.63 (15.9)	0.38 (9.52)	1.75 (44.4)	0.88 (22.2)	1.75 (44.4)	3.50 (88.9)	2.81 (71.4)	4.75 (120.6)	5.62 (142.7)	1.00 (25.4)	0.91 (23.0)	0.13 (3.2)	0.72 (18.2)	1.08 (27.4)	2.16 (54.9)
P	Q	R	S	T	U	V	W	X	Y	Z	AA	BB	CC	DD
1.56 (39.6)	0.47 (11.9)	0.84 (21.3)	2.15 (54.6)	2.69 (68.3)	1.00 (25.4)	1.94 (49.3)	3.88 (98.6)	0.03 (0.8)	0.47 (11.9)	0.38 (9.5)	0.22 (5.5)	0.63 (15.9)	1.31 (33.2)	1.50 (38.1)



### Mark 15 Manifold Assembly



### Dimensions

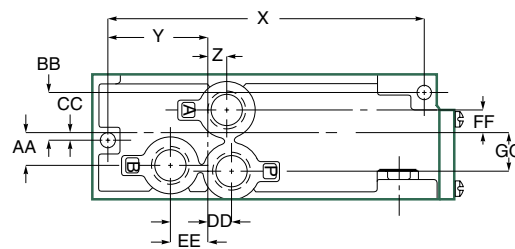
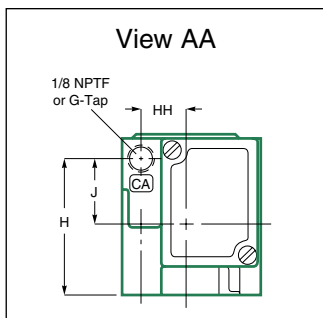
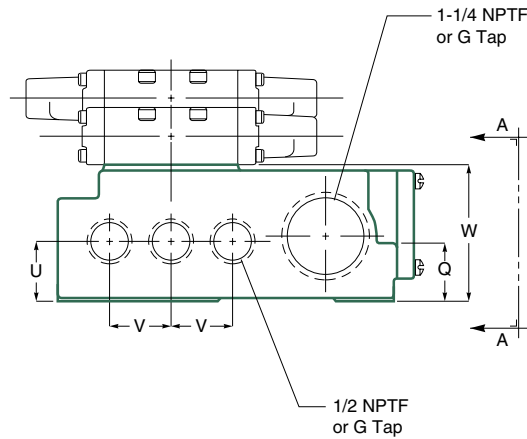
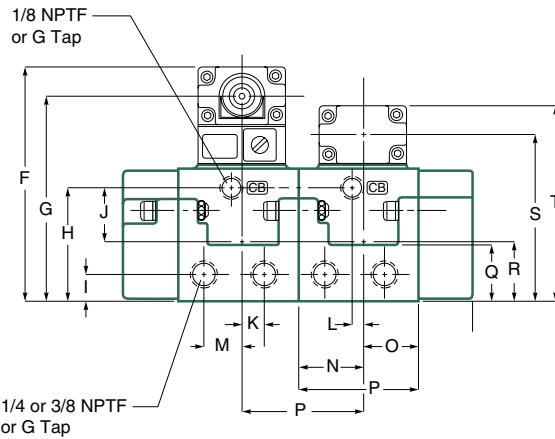
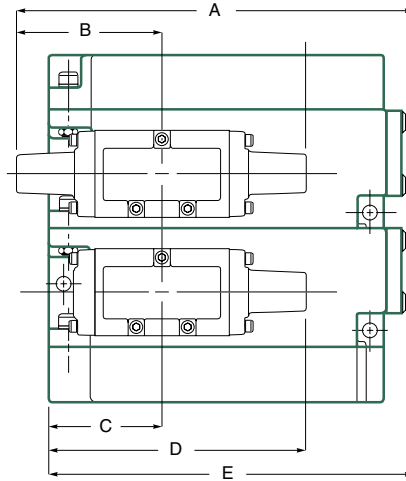
top dimensions = inches and bottom dimensions (in parenthesis) = millimeters

A (AC)	A (DC)	B (AC)	B (DC)	C	D	E (AC)	E (DC)	F	G	H	I	J	K	L	M	N
9.13 (231.9)	9.86 (250.4)	4.22 (107.2)	4.95 (125.7)	2.19 (55.6)	6.00 (152.4)	6.41 (162.8)	7.14 (181.4)	7.09 (180.8)	5.11 (129.8)	4.29 (109.0)	0.53 (13.5)	1.12 (28.4)	3.54 (89.9)	4.36 (110.7)	0.42 (10.7)	1.16 (29.5)
O	P	Q	R	S	T	U	V	W	X	Y	Z	AA	BB	CC	DD	
1.06 (26.9)	1.25 (31.7)	2.31 (58.7)	2.62 (66.5)	0.12 (3.0)	1.19 (30.2)	3.00 (76.2)	1.91 (48.5)	0.34 (8.6)	0.26 (6.6)	0.67 (17.0)	0.91 (23.1)	0.16 (4.1)	0.74 (18.8)	0.44 (11.2)	0.72 (18.3)	



## Mark 15 & PA 15 Series

### PA 15 Manifold Block Assembly



### Dimensions

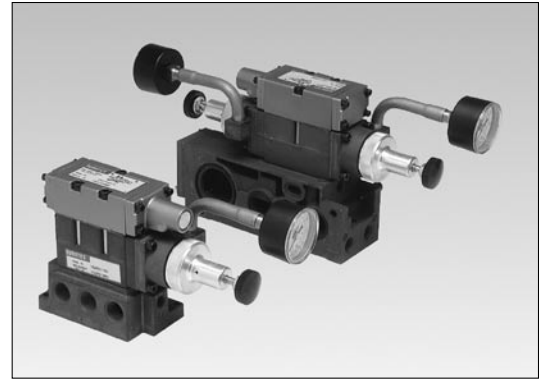
top dimensions = inches and bottom dimensions (in parenthesis) = millimeters

A	B	C	D	E	F	G	H	I	J	K	L	M	N	O	P	Q
7.72 (196.1)	2.81 (71.4)	2.19 (55.6)	5.00 (127.0)	7.10 (180.3)	4.51 (114.6)	3.97 (100.8)	2.22 (56.4)	0.53 (13.5)	1.06 (26.9)	0.42 (10.7)	0.20 (5.1)	1.16 (29.5)	1.25 (31.7)	1.06 (26.9)	2.31 (58.9)	1.12 (28.4)
R	S	T	U	V	W	X	Y	Z	AA	BB	CC	DD	EE	FF	GG	HH
1.16 (29.5)	3.22 (81.8)	3.76 (95.5)	1.16 (29.5)	1.19 (30.2)	2.62 (66.5)	6.00 (152.4)	1.91 (48.5)	0.34 (8.6)	0.67 (17.0)	0.91 (23.1)	0.16 (4.1)	0.44 (11.2)	0.72 (18.3)	0.42 (10.7)	0.74 (18.8)	0.75 (19.1)

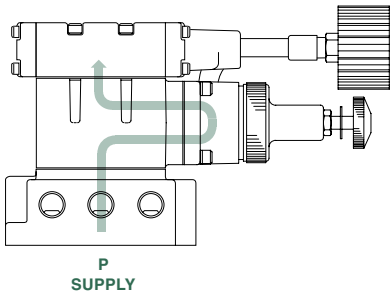


### Sandwich Pressure Regulators

Types: RS / RD / RE / RT / RC / RQ

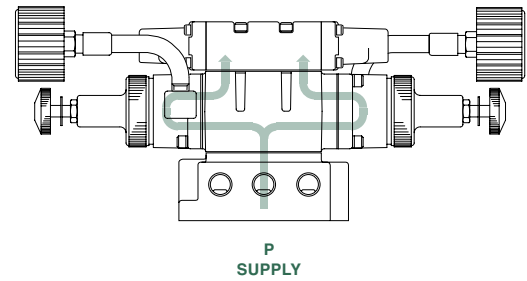


#### Type RS



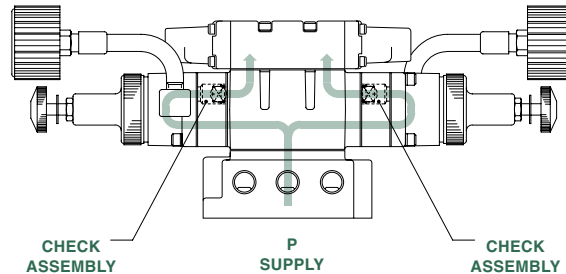
Single pressure from a single supply.

#### Type RD



Dual pressure from a single supply.

#### Type RC

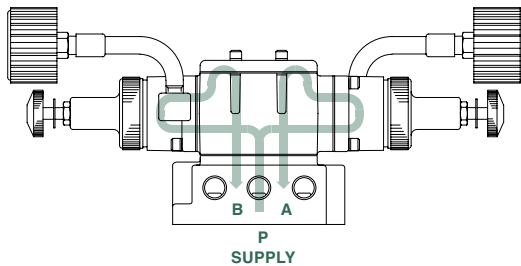


Type RC is Non-Relieving:  
traps downstream pressure if  
upstream pressure is exhausted.

#### Type RQ

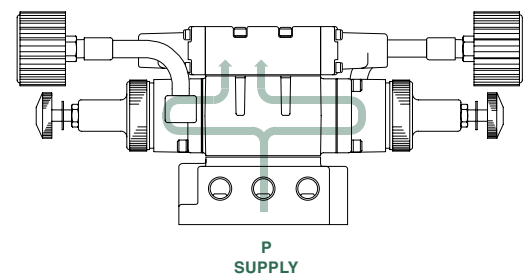
Type RQ is Relieving:  
exhaust pressure in cylinder if  
upstream pressure is exhausted.

#### Type RE



External outlet regulator used with jumper plate for  
single or dual pressure.

#### Type RT

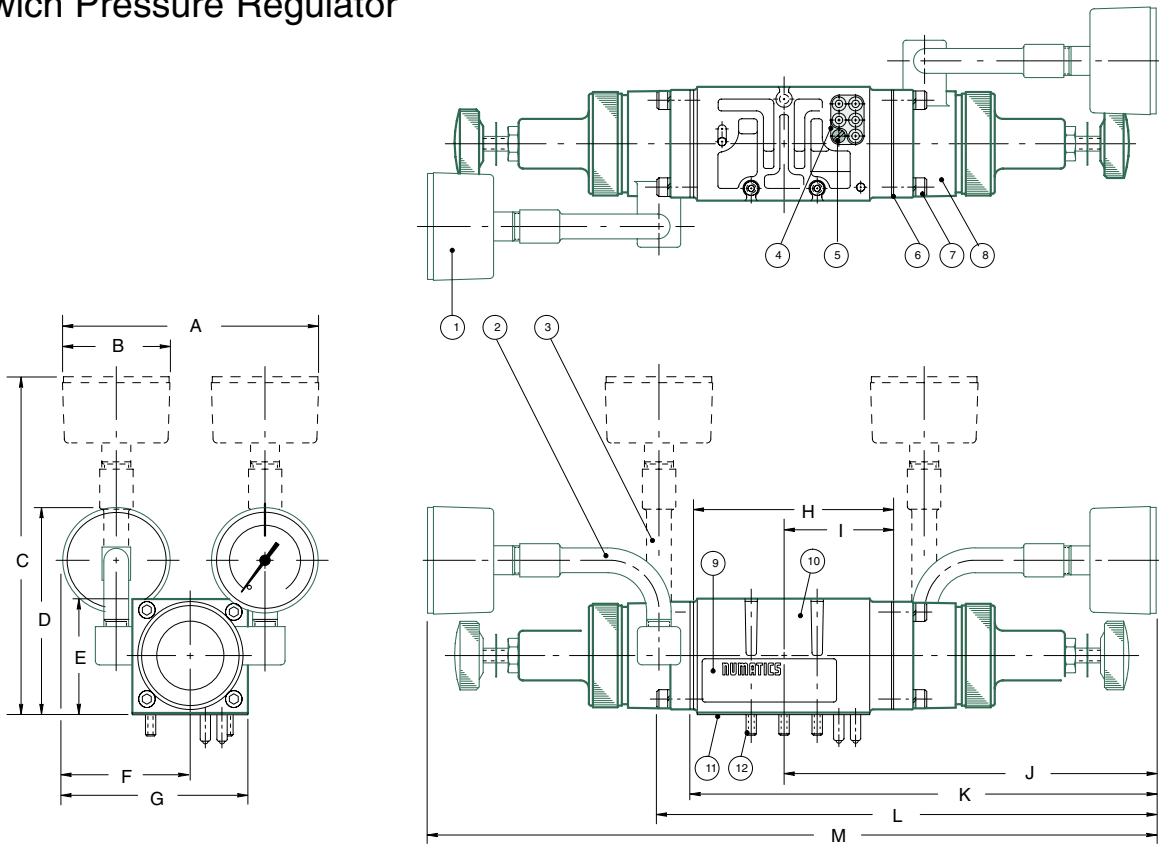


Two-pressure selector used for multi-pressure  
applications.



## Mark 15 & PA 15 Series

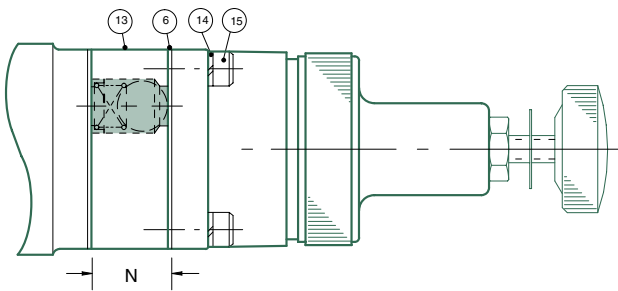
### Sandwich Pressure Regulator



### Check Assembly Kits

RC: 239-533

RQ: 239-537



### Parts List

DET. NO.	NO. REQ'D	PART NAME	PART NO.
1	2*	Gauge (See Chart on p.13)	
2	2*	90 Tube Fitting	134-298
3	2*	Straight Fitting	134-293
4	1	Plug Receptacle Assembly	230-257
5	1	Screw	127-342
6	**	Gasket to regulator	113-272
7	8~	Screw	127-235
8	2*	Reg. Assembly (not sold separately)	
9	1	Nameplate	122-551
10	1	Regulator Block	RS 125-311 RD, RC, RQ 125-312 RT 125-313 RE 125-316
11	1	Gasket body/base	113-264
12	3	Studs	127-304
13	2	Check Assembly (not sold separately)	
14	8	Hi-Collar Lockwasher (RC, RQ only)	128-144
15	8	Screw (RC, RQ only)	127-227

\*RS models require (1).  
 \*\*(1) for RS; (2) for RD, RE, RT;  
 (4) for RC, RQ.  
 ~RS models require (4).

### Dimensions

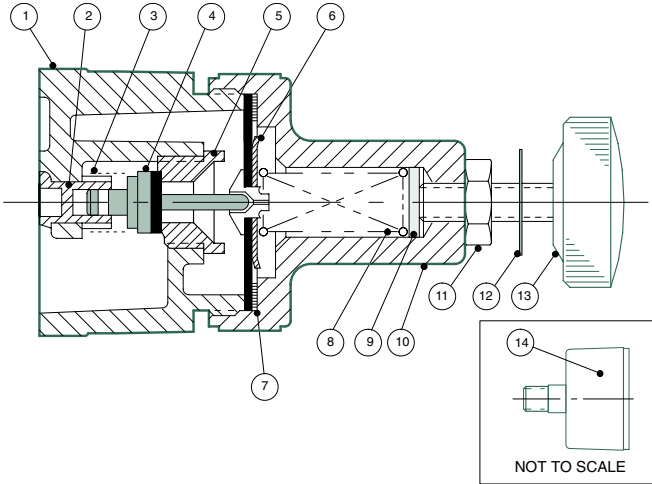
top dimensions = inches and bottom dimensions (in parenthesis) = millimeters

A	B	C	D	E	F	G	H	I	J	K	L	M	N
3.87 (98.0)	1.62 (41.0)	5.70 (144.0)	3.15 (80.0)	1.73 (44.0)	1.94 (49.0)	2.80 (71.0)	3.03 (76.8)	1.66 (42.2)	5.68 (144.0)	7.02 (178.0)	7.33 (186.0)	10.92 (277.0)	0.66 (16.7)



### Regulator Service Kit

229-640



### Parts List

DET. NO.	NO. REQ'D	PART NAME	PRESSURE RANGE PSIG		
			3-30	5-60	10-130
1	1	Regulator Assembly** (not sold separately)			
2 *	1	Retainer	116-291	116-291	116-291
3 *	1	Spring	115-210	115-210	115-210
4 *	1	Poppet Assembly	221-121	221-121	221-121
5 *	1	Poppet Seat	124-142	124-142	124-142
6 *	1	Diaphragm Assembly	213-285	213-285	213-285
7 *	1	Washer	116-292	116-292	116-292
8	1	Bonnet Spring	115-211	115-212	115-213
9 *	1	Spring Guide	116-293	116-293	116-293
10	1	Bonnet	125-314	125-314	125-314
11	1	Locknut	128-177	128-177	128-177
12	1	Pressure Label	122-508	122-509	122-510
13	1	Knob Assembly	213-284	213-284	213-284
14		Regulator Gauges (with PSIG of...)	214-116 (0-60)	214-117 (0-100)	214-103 (0-160)

\*\*Regulator Unit Kits (includes regulator assembly, gaskets, screws)

\*Indicates parts included in kit.

### Jumper Plate Kit

229-644

(includes gasket #113-434 and screws #127-235)

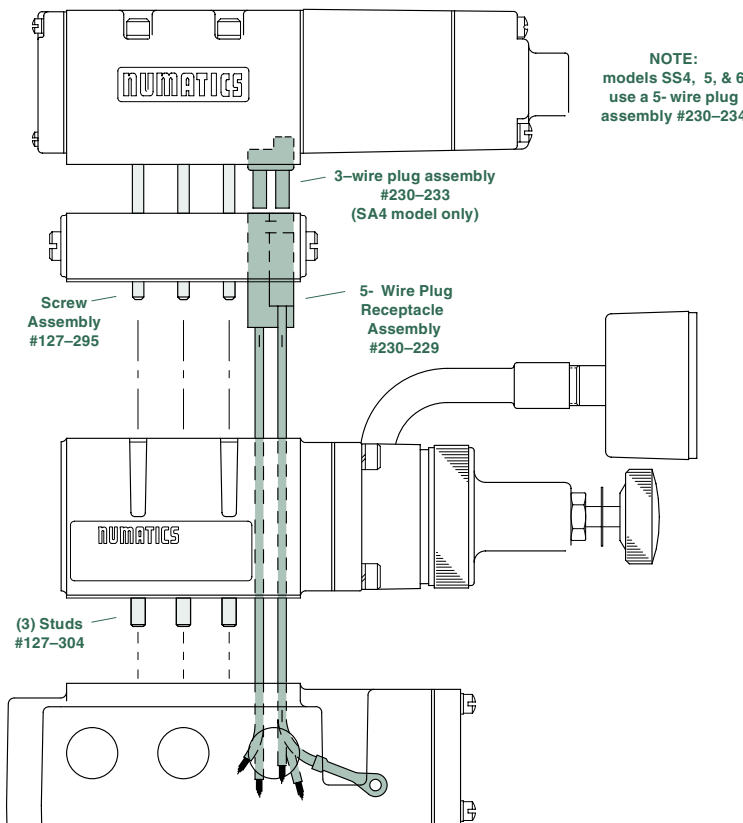
### RE Top Jumper Plate Kit

229-620

(includes gasket #113-264 and screws #127-235)

## Mark 15

### Valve, Speed Control and Regulator Plug-In Assembly



### EXAMPLE

#### 152SA401K000030

Single solenoid valve unit + speed control sandwich with 5-wire plug receptacle and extra long screws

#### 153RS131O000000

3/8 NPTF single pressure regulator (10-130 PSIG) with no receptacle mounted on an individual base with side ports and common exhaust

#### EXAMPLE ORDER:

Valve: 152SA401K000030

Regulator: 153RS131O000000

ASSEMBLED



## Mark 15 & PA 15 Series

### End Plate Kits

**NPTF 229-621**

**G Tap 229-993**  
G galleries/ metric conduit

**G Tap 239-530**  
G galleries/ NPTF conduit



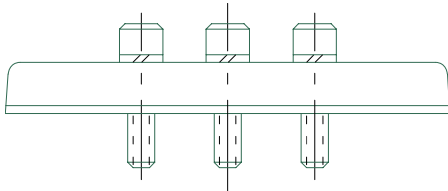
### Part List

NO. REQ'D	PART NAME	PART NO.		
		NPTF	G TAP W/ METRIC CONDUIT	G TAP W/NPTF CONDUIT
1	Seal	126-121	126-121	126-121
1	Right End Plate	104-217	104-287	104-468
1	Nameplate	122-199	122-199	122-199
1	Left end Plate	104-218	104-288	104-288
2	Screws	127-152	127-152	127-152
3	Seal	126-209	126-209	126-209

### Blank Station Plate Kit

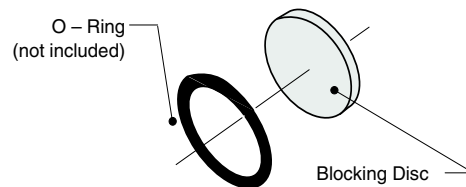
**229-620**

Includes gasket #113-264 and (3) screws #127-235.



### Blocking Disc Kit

**124-141**



### Adaptor Kits with End Plates

**Mark 15 RIGHT\* of Mark 8**

**229-695**

Includes kit #229-694 (adaptor, screws, seals)  
+ Mark 15 and 8 end plates

**Mark 15 LEFT\* of Mark 8**

**229-693**

Includes kit #229-692 (adaptor, screws, seals)  
+ Mark 15 and 8 end plates

**Mark 15 RIGHT\* of Mark 55 Compact**

**229-858**

Includes kit #229-857 (adaptor, screws, seals)  
+ Mark 15 and 55 end plates

**Mark 15 LEFT\* of Mark 55 Compact**

**229-860**

Includes kit #229-859 (adaptor, screws, seals)  
+ Mark 15 and 55 end plates

**PA 55 COMPACT RIGHT\* of PA 15**

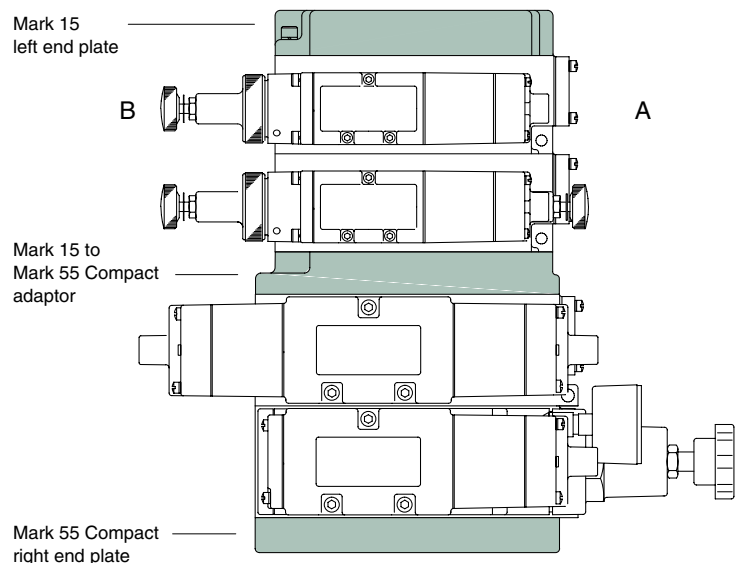
**229-860**

Includes kit #229-859 (adaptor, screws, seals)  
+ Mark 55 and 15 end plates

**PA 55 COMPACT LEFT\* of PA 15**

**229-858**

Includes kit #229-857 (adaptor, screws, seals)  
+ Mark 55 and 15 end plates



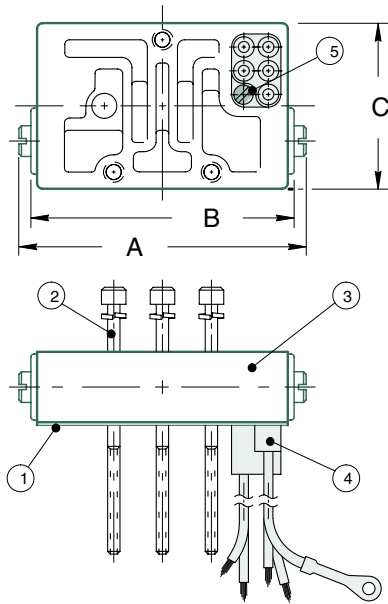
\*Left/right when viewed from the cylinder ports of assembly.



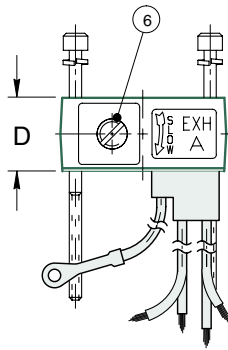
### Mark 15 Speed Control Kit

229-622

229-664 (Kit with Plug)



Mounts between valve and base.



#### Parts List

DET. NO.	NO. REQ'D	PART NAME	PART NO.
1 *	1	Gasket	113-264
2 *	3	Screw Assembly	127-295
3 *	1	Speed Control (not sold separately)	
4 **	1	Receptacle Assembly	230-229
5 **	1	Receptacle Screw	127-169
6 *	2	Needle Assembly	213-180

\*Indicates parts included in kit.

\*\*Included in 229-664 kit only.

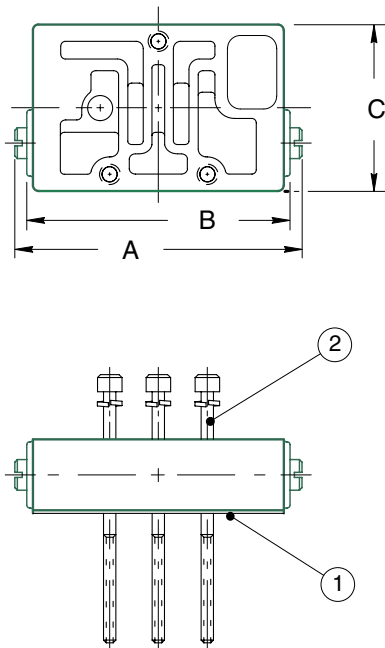
#### Dimensions

top dimensions = inches  
bottom dimensions (in parenthesis) = millimeters

A	B	C	D
2.94 (74.7)	2.69 (68.0)	1.69 (43.0)	0.75 (19.0)

### PA 15 Speed Control Kit

229-708



#### Parts List

DET. NO.	NO. REQ'D	PART NAME	PART NO.
1	1	Gasket	113-264
2	3	Screw Assembly	127-323
3	2	Needle Assembly	213-180

#### Dimensions

top dimensions = inches  
bottom dimensions (in parenthesis) = millimeters

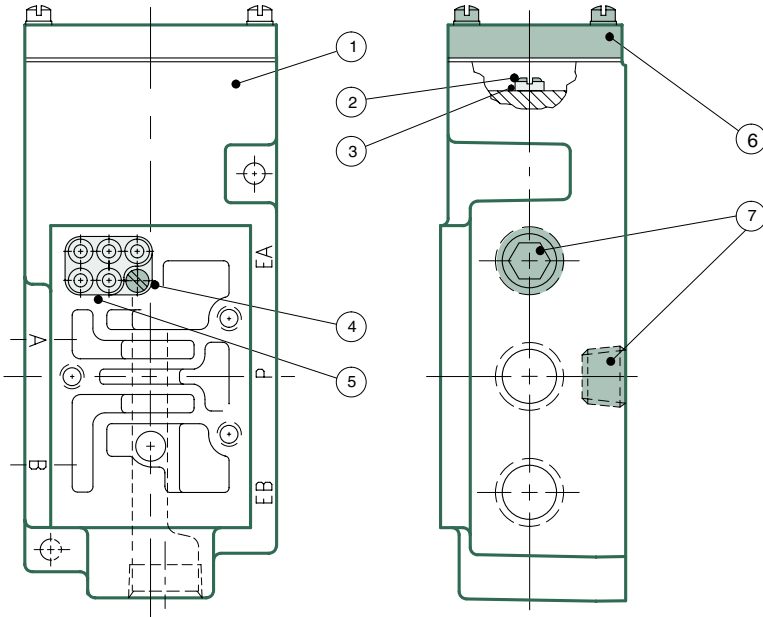
A	B	C	D
2.94 (74.7)	2.69 (68.0)	1.69 (43.0)	0.75 (19.0)

Mounts between valve and base.



## Mark 15 & PA 15 Series

### Mark 15 Base Assembly Kit



#### Parts List

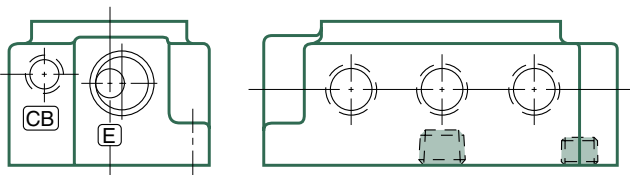
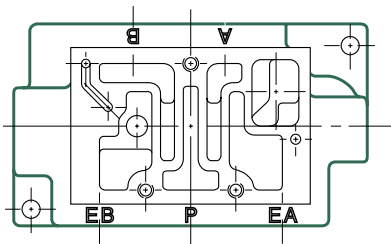
DET. NO.	NO. REQ'D	PART NAME	PART NO.
1 *	1	Base (not sold separately)	
2 *	2	Screw	127-176
3 *	1	Washer	128-162
4 *	1	Screw	127-342
5 *	1	Receptacle Assembly Plug-in units only	230-229
6 *	1	Conduit Cover Assembly	205-302
7 *	**	Plug:	
		1/4 NPTF	129-101
		3/8 NPTF	129-102
		G 1/4	129-161
		G 3/8	129-163

\*Indicates parts included in kit.

\*\*Not used on 3A, 3C; plugs vary - consult factory.

BASE	EXHAUST	1/4 NPTF		3/8 NPTF		G 1/4		G 3/8	
		PLUG-IN	NO PLUG	PLUG-IN	NO PLUG	PLUG-IN	NO PLUG	PLUG-IN	NO PLUG
31 & 35: Side ports only	common	203-353	203-349	203-361	203-357	203-561	203-659	203-557	203-660
32 & 36: Side & bottom ports	common	203-354	203-350	203-362	203-358	203-663	203-661	203-664	203-662
3A & 3C: Side ports only	individual	203-351	203-347	203-359	203-355	203-611	203-665	203-612	203-645
3B & 3D: Side & bottom ports	individual	203-352	203-348	203-360	203-356	203-668	203-667	203-670	203-669

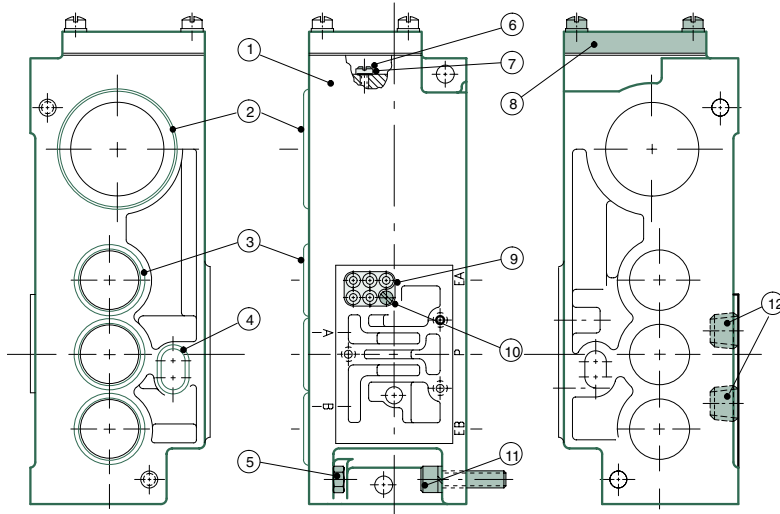
### PA 15 Base Assembly Kit with Tapped CA and CB Ports



BASE DESCRIPTION	1/4 NPTF	3/8 NPTF
41 & 46: Side ports, individual exhaust	103-485	103-489
43 & 48: Side & bottom ports, individual exhaust	203-451	203-454
44 & 49: Side ports, common exhaust	203-452	203-455
54 & 55: Side & bottom ports, common exhaust	203-453	203-456



### Mark 15 Flexiblok Manifold Kits



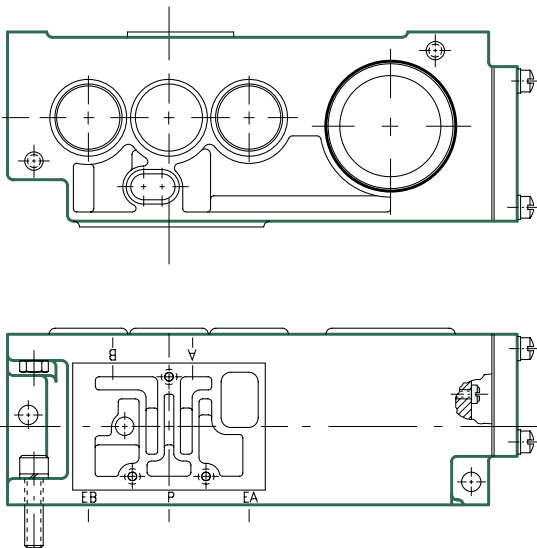
#### Parts List

DET. NO.	NO. REQ'D	PART NAME	PART NO.
1 *	1	Valve Blok (not sold separately)	
2 *	1	Seal	126-121
3 *	3	Seal	126-209
4 *	1	Seal (for 1B & 18)	126-202
5 *	2	Nut	128-103
6 *	2	Screw	127-176
7 *	1	Washer	128-162
8 *	1	Conduit Cover Assembly	205-303
9 *	1	Receptacle Assembly Plug-in units only	230-229
10 *	1	Screw - receptacle	127-342
11 *	2	Screw	127-152
12 *	2	Plug:	
		1/4 NPTF	129-101
		3/8 NPTF	129-102
		G 1/4	129-161
		G 3/8	129-163

\*Indicates parts included in kit.

FLEXIBLOK DESCRIPTION	1/4 NPTF		3/8 NPTF		G 1/4		G 3/8	
	PLUG-IN	NO PLUG	PLUG-IN	NO PLUG	PLUG-IN	NO PLUG	PLUG-IN	NO PLUG
#15: Side & bottom Cylinder ports	229-629	229-627	229-630	229-628	239-210	239-367	229-999	239-368
#15: Side & bottom cyl. ports w/bottom P port	229-632	229-631	229-634	229-633	239-371	239-369	239-372	239-370
#15 & 19M Option (Terminal Strip)	239-732	239-1863	239-1029	239-1171	239-2085	N/A	239-2086	N/A
#16: Auxiliary inlet	229-792	229-789	229-798	229-795	239-375	239-373	239-376	239-374
#1B: Alternate outlet	229-793	229-790	229-799	229-796	239-383	239-381	239-384	239-382
#18: Alternate outlet & auxiliary inlet	229-794	229-791	229-800	229-797	239-379	239-377	239-380	239-378

### PA 15 Flexiblok Manifold Kits with Tapped CA and CB Ports



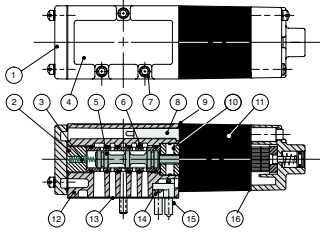
FLEXIBLOK DESCRIPTION	1/4 NPTF	3/8 NPTF
15: Manifold w/side & bottom cylinder ports	229-709	229-710
15: w/side & bottom cyl. ports & bottom P port	229-711	229-712
16: Auxiliary inlet	229-896	229-899
1B: Alternate outlet	229-897	229-900
18: Alternate outlet & auxiliary inlet	229-898	229-901



## Mark 15 & PA 15 Series

### Service Kits and Parts

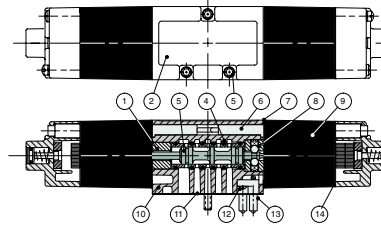
Kit No. MK15-K1\* (For Models 152SA4, 153SA4)



#### Parts List

DET. NO.	NO. REQ'D	PART NAME	PART NO.
1	1	End Plate Assembly	204-215
2 *	1	Spring Retainer	116-286
3 *	1	Spring	115-214
4	1	Nameplate	122-941
5	1	Sleeve Assembly w/seals	209-246**
6 *	6	Seal	126-202
7	3	Screw	127-294
8	1	Electrical Receptacle	125-309
9 *	2	Gasket solenoid/valve	113-268
10 *	1	Detented Body	110-113
11	1	Solenoid Capsule Assembly	See p. 22
12	1	Valve Body (not sold separately)	
13 *	1	Gasket body/base	113-264
14	1	Screw	127-169
15	1	3-Wire Plug Assembly	230-233
16 *	1	Gasket solenoid/end cap	113-267

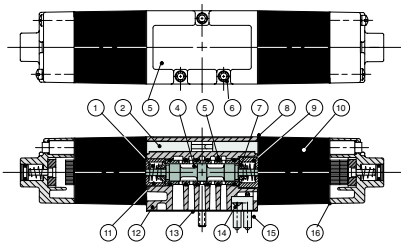
Kit No. MK15-K2\* (For Models 152SS4, 153SS4)



#### Parts List

DET. NO.	NO. REQ'D	PART NAME	PART NO.
1 *	1	Spacer	116-285
2	1	Nameplate	122-941
3	1	Sleeve Assembly w/seals	209-247**
4 *	6	Seal	126-202
5	3	Screw	127-294
6	2	Electrical Receptacle	125-309
7 *	2	Gasket solenoid/valve	113-268
8 *	1	Detented Assembly	210-116
9	2	Solenoid Capsule Assembly	See p. 22
10	1	Valve Body (not sold separately)	
11 *	1	Gasket body/base	113-264
12	1	Screw	127-169
13	1	5-Wire Plug Assembly	230-234
14 *	2	Gasket solenoid/end cap	113-267

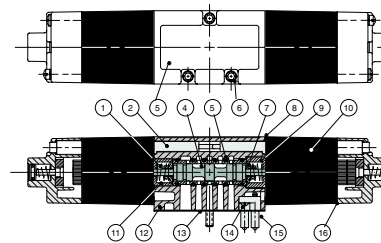
Kit No. MK15-K3\* (For Models 152SS5, 153SS5)



#### Parts List

DET. NO.	NO. REQ'D	PART NAME	PART NO.
1 *	2	Spring	115-204
2	2	Electrical Receptacle	125-309
3	1	Nameplate	122-941
4	1	Sleeve Assembly w/seals	209-248**
5 *	6	Seals	126-202
6	3	Screw Assembly	127-294
7 *	2	Spring Retainer	116-287
8 *	2	Gasket solenoid/valve	113-268
9 *	1	Spacer	116-288
10	2	Solenoid Capsule Assembly	See p. 22
11 *	1	Spacer	116-289
12	1	Valve Body (not sold separately)	
13 *	1	Gasket body/base	113-264
14	1	Screw	127-169
15	1	5-Wire Plug Assembly	230-234
16 *	2	Gasket solenoid/end cap	113-267

Kit No. MK15-K3\* (For Models 152SS6, 153SS6)



#### Parts List

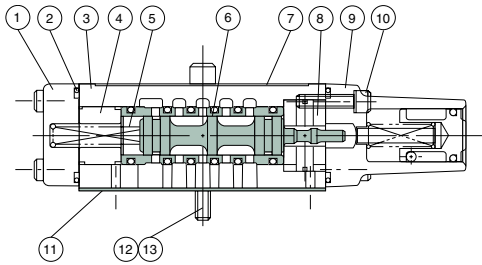
DET. NO.	NO. REQ'D	PART NAME	PART NO.
1 *	2	Spring	115-204
2	2	Electrical Receptacle	125-309
3	1	Nameplate	122-941
4	1	Sleeve Assembly w/seals	209-249**
5 *	6	Seals	126-202
6	3	Screw Assembly	127-294
7 *	2	Spring Retainer	116-287
8 *	2	Gasket solenoid/valve	113-268
9 *	1	Spacer	116-288
10	2	Solenoid Capsule Assembly	See p. 22
11 *	1	Spacer	116-289
12	1	Valve Body (not sold separately)	
13 *	1	Gasket body/base	113-264
14	1	Screw	127-169
15	1	5-Wire Plug Assembly	230-234
16 *	2	Gasket solenoid/end cap	113-267

\*Indicates parts included in service kit. \*\*Spool and sleeve assemblies are precision matched set; spools are not interchangeable; and assemblies include (6) #126-202 seals.



### Service Kits and Parts

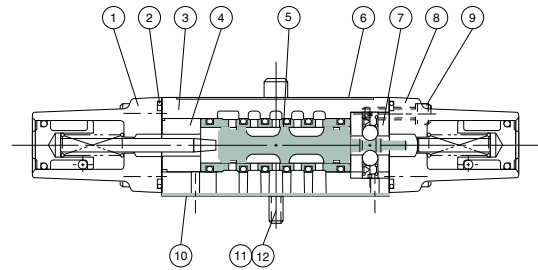
#### Kit No. PA15-K1\* (For Models JA4, JK4)



#### Parts List

DET. NO.	NO. REQ'D	PART NAME	PART NO.
1	1	End Cap	104-233
2 *	2	O-Ring	126-208
3	1	Valve Body (not sold separately)	
4 *	1	Spacer	116-313
5 *	1	Spring	115-224
6	1	Sleeve Assembly w/seals	209-270**
7	1	Nameplate	122-942
8 *	1	Detented Body	110-113
9	1	End Cap Assembly	204-263
10	8	Screw	127-320
11 *	1	Gasket	113-264
12	3	Screw	127-227
13	3	Lockwasher	128-144

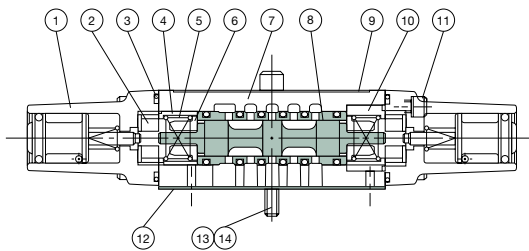
#### Kit No. PA15-K2\* (For Model JJ4)



#### Parts List

DET. NO.	NO. REQ'D	PART NAME	PART NO.
1	1	End Cap	204-265
2 *	2	O-Ring	126-208
3	1	Va/ve Body (not sold separately)	
4 *	1	Spacer	116-313
5	1	Sleeve Assembly w/seals	209-270**
6	1	Nameplate	122-942
7 *	1	Detented Assembly JJ4	210-116
8	1	End Cap Assembly	204-263
9	8	Screw	127-320
10 *	1	Gasket	113-264
11	3	Screw	127-227
12	3	Lockwasher	128-144

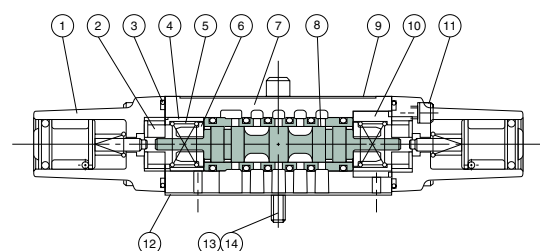
#### Kit No. PA15-K3\* (For Model JJ5)



#### Parts List

DET. NO.	NO. REQ'D	PART NAME	PART NO.
1	2	End Cap Assembly	204-267
2 *	2	Bumper	114-100
3 *	2	O-Ring	126-208
4 *	1	Spacer	116-315
5 *	2	Spring	115-225
6 *	2	Spring Retainer	116-316
7	1	Va/ve Body (not sold separately)	
8	1	Sleeve Assembly w/seals	209-271**
9	1	Nameplate	122-942
10 *	1	Spacer	116-314
11	8	Screw	127-320
12 *	1	Gasket	113-264
13	3	Screw	127-227
14	3	Lockwasher	128-144

#### Kit No. PA15-K3\* (For Model JJ6)



#### Parts List

DET. NO.	NO. REQ'D	PART NAME	PART NO.
1	2	End Cap Assembly	204-267
2 *	2	Bumper	114-110
3 *	2	O-Ring	126-208
4 *	1	Spacer	116-315
5 *	2	Spring	115-225
6 *	2	Spring Retainer	116-316
7	1	Va/ve Body (not sold separately)	
8	1	Sleeve Assembly w/seals	209-272**
9	1	Nameplate	122-942
10 *	1	Spacer	116-314
11	8	Screw	127-320
12 *	1	Gasket	113-264
13	3	Screw	127-227
14	3	Lockwasher	128-144

\*Indicates parts included in service kit. \*\*Spool and sleeve assemblies sold as precision matched set; spools are not interchangeable; and assemblies include (6) #126-202 seals.



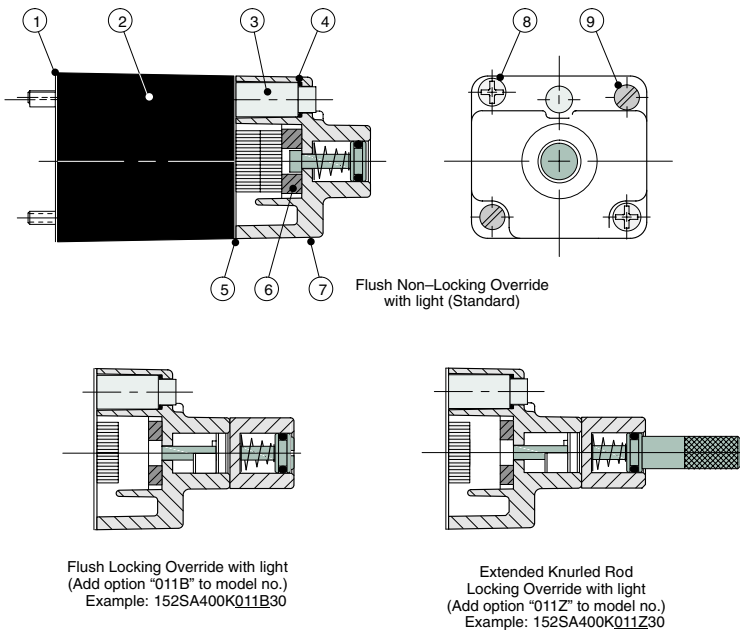
### Mark 15 Solenoid Capsule Assemblies

#### Complete Solenoid Capsule Assemblies

#### End Cap Only

OVERRIDE TYPE	VALVE FUNCTION	PLUG-IN	AC		VOLTAGE			DC		LIGHT OPTION		NO LIGHT
			100-115/50 110-120/60	200-230/50 220-240-60	24/50-60	12VDC	24VDC	AC	DC	8-13VDC	14-24VDC	
Flush Non-Locking Override w/Light	2 Position	Standard	237-325	237-326	237-426	226-800	226-801	204-217	204-218	204-491	204-492	204-216
	2 Position	DIN Plug-in	237-337	237-338	-	226-509*	226-510*	204-217	204-218	N/A	N/A	204-216
	3 Position	Standard	237-331	237-332	237-425	226-804	226-805	204-220	204-221	204-495	204-496	204-219
	3 Position	DIN Plug-in	237-343	237-344	-	226-515*	226-516*	204-220	204-221	N/A	N/A	204-219
Flush Locking w/ Light	2 Position	Standard	237-361	237-362	-	-	226-902	204-226	204-227	-	-	204-224
	3 Position	Standard	237-363	237-364	-	-	236-213	204-228	204-229	-	-	204-225
Ext. Rod Locking w/ Light	2 Position	Standard	237-365	237-366	237-612	-	226-906	204-238	204-239	-	-	204-236
	3 Position	Standard	237-365	237-368	-	-	226-553	204-240	204-241	-	-	204-237
Solenoid Only less end cap; screws & gaskets not included		Standard	228-690	228-691	228-692	225-371	225-372					
		DIN Plug-in	228-694	228-695	228-696	225-265	225-266					

\*DIN DC solenoids are not available with light.

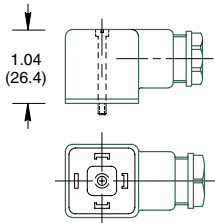


#### Parts List

DET. NO.	NO. REQ'D	PART NAME	PART NO.
1	1	Gasket solenoid/valve	113-268
2	1	Solenoid	See Chart
3	1	Light Assembly:	
		100-115/50	230-235
		110-120/60	230-235
		200-230/50	230-236
		220-240/60	230-236
		12VDC	230-283
		24VDC	230-284
4	1	O-Ring Seal	126-144
5	1	Gasket solenoid/end cap	113-267
6	1	Bumper:	
		Black for 2 position	114-134
		Red for 3 position	114-133
7	1	End Cap Assembly	See Chart
8	2	Screw cap/solenoid	127-297
9	2	Solenoid Screws AC	127-298
		Solenoid Screws DC	127-302

#### Plug Assemblies

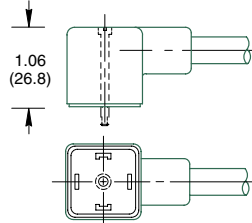
Per DIN Spec. No. 43650  
Accepts cable dia. .310 - .410 For DIN plug-in solenoids wiring options 6 & 4



PART NAME	PART NO.
Gray (A) Plug Ass'y	230-369
Black (B) Plug Ass'y	230-370
Plug w/24VDC Light	230-371
Plug w/110VAC Light	230-372
Plug w/220VAC Light	230-373

#### Superstructure Plug with Cord

Per DIN Spec. No. 43650  
For DIN plug-in solenoids wiring options 6 & 4



PART NAME	PART NO.
Plug with 4' Cord	230-213
Plug with 6' Cord	230-215

# NUMATICS®

World Class Supplier  
of Pneumatic Components



## World Headquarters

### Numatics Incorporated

Phone: 248-887-4111  
Fax: 248-887-9190

## UNITED STATES

### Numatics – Air Preparation

Phone: 810-667-3900  
Fax: 810-667-3902

### Numatics – Valves

Phone: 248-887-4111  
Fax: 248-887-9190

### Numatics – Miniature Valves

Phone: 248-960-1400  
Fax: 248-960-2160

### Numatics – Cylinders

Phone: 615-771-1200  
Fax: 615-771-1201

### Numatics – Rodless Cylinders

Phone: 519-452-1777  
Fax: 519-452-3995

### Numatics – Automation

Phone: 440-934-3200  
Fax: 440-934-2288

## CANADA

### Ontario

Numatics, Ltd.  
Phone: 519-452-1777  
Fax: 519-452-3995

### Quebec

Numatics, Ltd.  
Phone: 514-332-6444  
Fax: 514-332-9273

### British Columbia

Numatics, Ltd.  
Phone: 604-574-0401  
Fax: 604-574-3713

## EUROPE

### Germany – European Headquarters

Numatics GmbH  
Phone: 011-49-22 41-31 60-0  
Fax: 011-49-22 41-31 60 40

### Hungary

Numatics Kft.  
Phone: 011-36-13 82 21 35  
Fax: 011-36-12 04 39 47

## EUROPE

### England

Numatics Limited  
Phone: 011-44-1525-37 07 35  
Fax: 011-44-1525-38 25 67

### France

Numatics s.a.r.l.  
Phone: 011-33-1 41 21 48 88  
Fax: 011-33-1 41 21 48 89

### Italy

Numatics srl  
Phone: 011-39-030-373 19 99  
Fax: 011-39-030-373 19 81

### Netherlands

Numatics B.V.  
Phone: 011-31-418-65 29 50  
Fax: 011-31-418-65 29 43

### Spain

Numatics Spain S.L.  
Phone: 011-34-93-221 21 96  
Fax: 011-34-93-221 35 14

## AFRICA

### South Africa

Numatics SA (Pty) Ltd.  
Phone: 011-27-11-8 65 44 52  
Fax: 011-27-11-8 65 42 90

## LATIN & SOUTH AMERICA

### Mexico

Numatics de Mexico S.A. de C.V.  
Phone: 011-52-222-284 6176  
Fax: 011-52-222-284 6179

### Brazil

Valvair Comercial Ltda.  
Phone: 011-55-12-351 2874  
Fax: 011-55-12-351 1958

## ASIA & PACIFIC

### Australia

Numatics Australia Pty. Ltd.  
Phone: 011-61-3-95 63 86 00  
Fax: 011-61-3-95 63 85 11

### Taiwan – Asian Headquarters

Numatics Co, Ltd. Asia  
Phone: 011-886-2-29 15 16 05  
Fax: 011-886-2-29 14 18 97

For a comprehensive listing of all Numatics production and distribution facilities worldwide, visit [www.numatics.com](http://www.numatics.com)