

valves

L2 Series

Solenoid Pilot, Air Pilot or Hand Lever Actuated Valves



numatics®

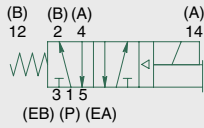
Table of Contents



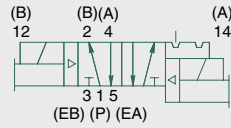
| | |
|---|-------|
| L2 Series | 3-14 |
| Technical and Operating Data | 3-4 |
| How to Order | 5 |
| Valve Dimensions | 6-7 |
| Manifold Assemblies | 8-9 |
| Hand Lever Valves | 10 |
| Speed Control Kit | 11 |
| Valve Service Kits and Parts | 12-13 |
| Internal/External Pilot Selection | 14 |
| Blank Station Plate Kit | 14 |
| Adaptor Kit | 14 |
| Blocking Plug Kit | 14 |
| Solenoid Assemblies | 14 |



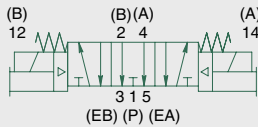
single solenoid
2 position 4-way



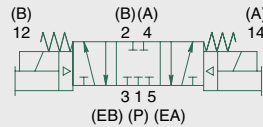
double solenoid pilot
2 position 4-way



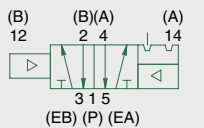
double solenoid pilot
3 position 4-way
open center



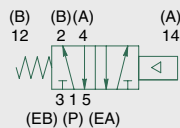
double solenoid pilot
3 position 4-way
closed center



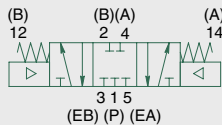
single air pilot
2 position 4-way
no override



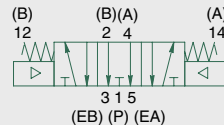
single air pilot
2 position 4-way
no override



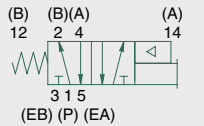
double air pilot
3 position 4-way
closed center
no override



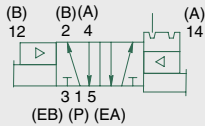
double air pilot
3 position 4-way
open center
no override



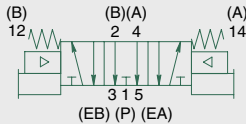
single air pilot
2 position 4-way
w/override



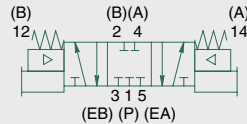
double air pilot
2 position 4-way
w/override



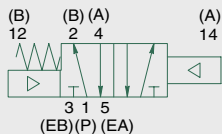
double air pilot
3 position 4-way
open center w/override



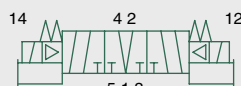
double air pilot
3 position 4-way
closed center w/override



double air pilot
2 position 4-way
spring offset
no override



double solenoid pilot
3 Position 4-Way (5/3),
open to 4 (A) and
2 (B) in center

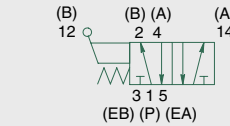


5 Ported, 2 and 3 position, 4-way, Spool & Sleeve
Cv: 1.7

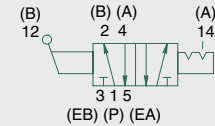
- Solenoid pilot or air pilot actuated
- Hand-lever valves available
- DIN plug-in solenoid and plug connector with indicator light
- Unlubricated or lubricated service
- In-line or manifold mounted
- Integral speed control available



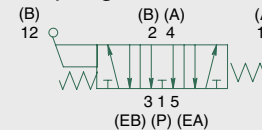
hand lever
2 position 4-way
w/spring return



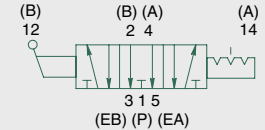
hand lever
2 position 4-way
w/detent



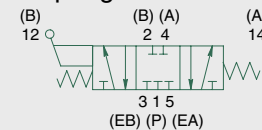
hand lever
3 position 4-way
open center
w/spring center



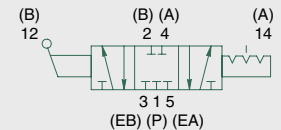
hand lever
3 position 4-way
open center
w/detent



hand lever
3 position 4-way
closed center
w/spring center



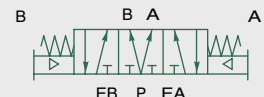
hand lever
3 position 4-way
closed center
w/detent



double air pilot
3 Position 4-Way (5/3),
open to 4 (A) and
2 (B) in center



double air pilot
3 Position 4-Way (5/3),
open to 4 (A) and
2 (B) in center





L2 Series

Technical Data

| VALVE DATA | ENGLISH | | METRIC | |
|---|---|-----------|---|-----------|
| Cv | 1/4 = 1.7 | 3/8 = 1.7 | 1/4 = 1.7 | 3/8 = 1.7 |
| Flow capacity | 79 SCFM @ 80 PSIG upstream pressure to atmosphere | | 1674 NI/m @ 6 bar upstream/5 bar downstream | |
| Main Valve Operating Pressure Range | 28" HG. Vacuum to 150 PSIG | | Vacuum to 10 bar | |
| Pilot Pressure Range: Internal and External | 14.5 to 150 PSIG | | 1 to 10 bar | |
| Temperature range: Solenoid Pilot (ambient) | -10°F to +115°F | | -23°C to +46°C | |
| Temperature Range: Air Pilot (ambient) | -10°F to +150°F | | -23°C to +66°C | |

Operating Data

| ALL SOLENOIDS ARE CONTINUOUS DUTY RATED | | 12 VDC | 24 VDC | 24 VAC 50 Hz. | 24 VAC 60 Hz. | 115 VAC 50 Hz. | 120 VAC 60 Hz. | 230 VAC 50 Hz. | 240 VAC 60 Hz. |
|---|-----------------------------------|--------|--------|------------------|------------------|-------------------|-------------------|-------------------|-------------------|
| Power (Watts)* | | 3.5 | 3.5 | 4.8 | 3.3 | 4.8 | 4.0 | 5.0 | 3.5 |
| Holding Current (Amps.) | | 0.30 | 0.15 | 0.380 | 0.280 | 0.064 | 0.054 | 0.030 | 0.023 |
| Inrush Current (Amps.) | | N/A | N/A | 0.500 | 0.420 | 0.087 | 0.082 | 0.042 | 0.036 |
| Energize in seconds | 2-Position, Single, Spring Return | 0.010 | 0.010 | 0.007 | 0.007 | 0.007 | 0.007 | 0.007 | 0.007 |
| | 2-Position, Double, Detented | 0.010 | 0.010 | 0.007 | 0.007 | 0.007 | 0.007 | 0.007 | 0.007 |
| | 3-Position, Spring Centered | 0.010 | 0.010 | 0.007 | 0.007 | 0.007 | 0.007 | 0.007 | 0.007 |
| De-energize in seconds | 2-Position, Single, Spring Return | 0.035 | 0.035 | 0.035 | 0.035 | 0.035 | 0.035 | 0.035 | 0.035 |
| | 2-Position, Double, Detented | N/A | N/A | N/A | N/A | N/A | N/A | N/A | N/A |
| | 3-Position, Spring Centered | 0.030 | 0.035 | 0.035 | 0.035 | 0.035 | 0.035 | 0.035 | 0.035 |

*A 1.4 Watt DC solenoid is available. Add "17G" to the model number. **EXAMPLE:** L22BA452B017G61.
Maximum pilot pressure is reduced to 116 PSIG (8 bar).



How to Order

Valves

L22 JA 4 52 O 0 000 00

Valve Series & Port Size
L22 = 1/4
L23 = 3/8

Valve Type
BA = Single Solenoid Pilot, Spring Return w/Flush Locking Override
BB = Double Solenoid Pilot w/Flush Locking Override
PA = Single Air Pilot Cap w/Spring Return
PP = Double Air Pilot Cap
PM = Double Air Pilot w/Spring Offset
JA = Single Air Pilot w/Flush Non-locking Override and Spring Return
JJ = Double Air Pilot w/Flush Non-locking Override
LA = Hand Lever w/Spring Return
LD = Hand Lever w/Detent

Function
4 = 2 Position, 4-Way
5 = 3 Position, 4-Way Open Center
6 = 3 Position, 4-Way Closed Center
7 = 3 Position 4-Way (5/3), Open to 4 (A) and 2 (B) in Center

Mounting
52 = Line Mounted

Voltage
20 = 24/50-60 VAC
30 = 110-120/50-60 VAC
40 = 220-240/50-60 VAC
60 = 12 VDC
61 = 24 VDC
00 = N/A (Use With Air Pilot or Hand Lever)

Options
14A = External Pilot Supply
17G = Low Watt Solenoid – 1.42 Watt
17P = Flush Non-locking Override
18D = Side Ports (see p. 6)

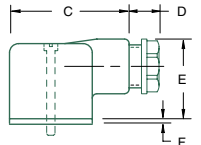
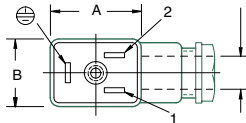
Port Type
0 = NPTF
G = G Tap

Wiring Option
B = DIN Plug-in DC Solenoid
O = DIN Plug-in AC Solenoid or Air Pilot or Handlever

NOTE: Plug connector is NOT included with DIN solenoid. Order plug-in connector assembly separately (see ordering information below)

Plug Connector Assemblies

Per DIN Spec. NO 43650. Accepts cable diameter 0.240 to 0.310
11mm Industry Standard DIN Form B



Normal Polarity
1 = (+) Positive, High
2 = (-) Negative, Neutral
⊕ = Chassis Ground

| PLUG CONNECTOR DESCRIPTION | PART NO. |
|---------------------------------------|----------|
| Grey (14 end solenoid) Plug Assembly | 230-363 |
| Black (12 end solenoid) Plug Assembly | 230-364 |
| Plug Assembly with 24 V Light | 230-365 |
| Plug Assembly with 110 V Light | 230-366 |
| Plug Assembly with 220 V Light | 230-367 |

Dimensions

top dimensions = inches and bottom dimensions (in parenthesis) = millimeters

| A | B | C | D | E | F |
|----------------|----------------|----------------|----------------|----------------|---------------|
| 1.12 (28.4) | 0.83 (21.1) | 1.57 (39.9) | 0.40 (10.2) | 1.10 (28.4) | 0.06 (1.5) |

Manifold Assembly

AK 0 3 D 0000 3 N STD

Electrical/Electronics Type & Location
0 = Standard

Valve Line
3 = L2 Series

Number of Valve Stations
B = 2 F = 6 J = 10
C = 3 G = 7 K = 11
D = 4 H = 8 L = 12
E = 5 I = 9

Options
Std = Standard (Common Supply and Exhaust)
A19 = Common Supply, Individual Exhaust

Port Type
N = NPTF
G = G Tap

End Plate Port Size
3 = 3/8

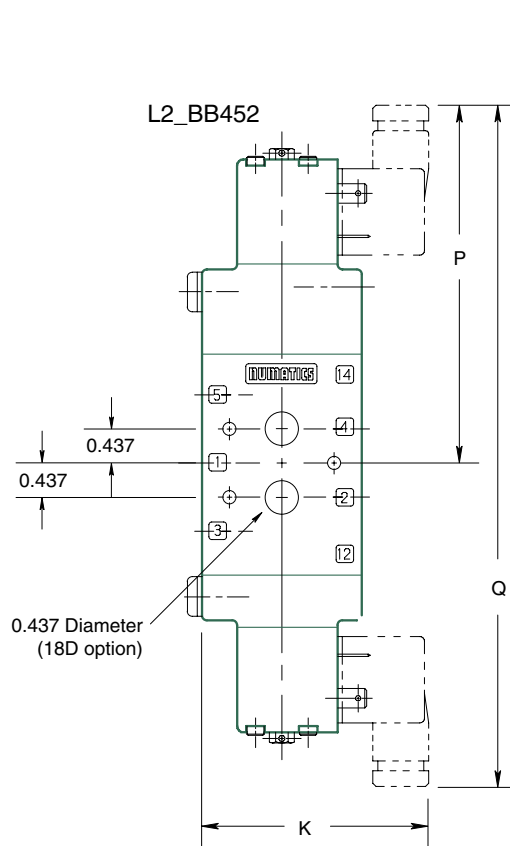
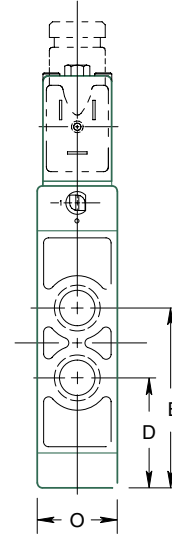
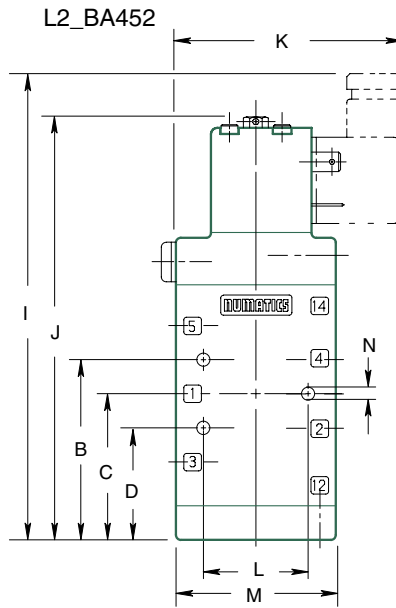
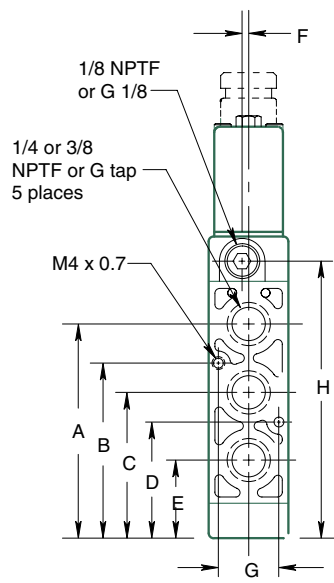
Example order:

Assembly Kit: AK03D00003NSTD
 Station 1: L23BB552O000030
 Station 2: L23BA452O000030
 Station 3: L23PP452O000000
 Station 4: L23PA452O000000
 ASSEMBLED

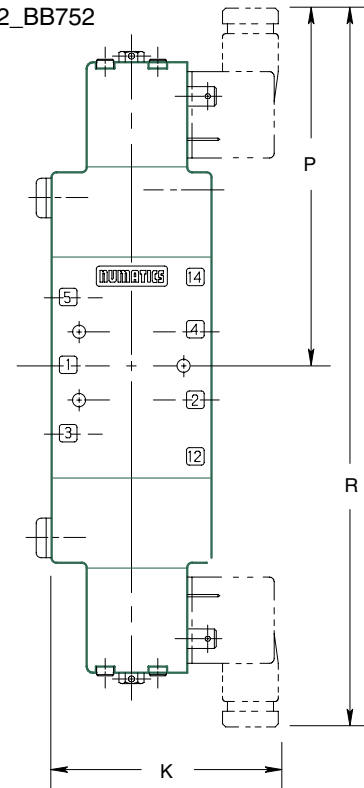


L2 Series

Solenoid-Pilot Valve



L2_BB552
L2_BB652
L2_BB752



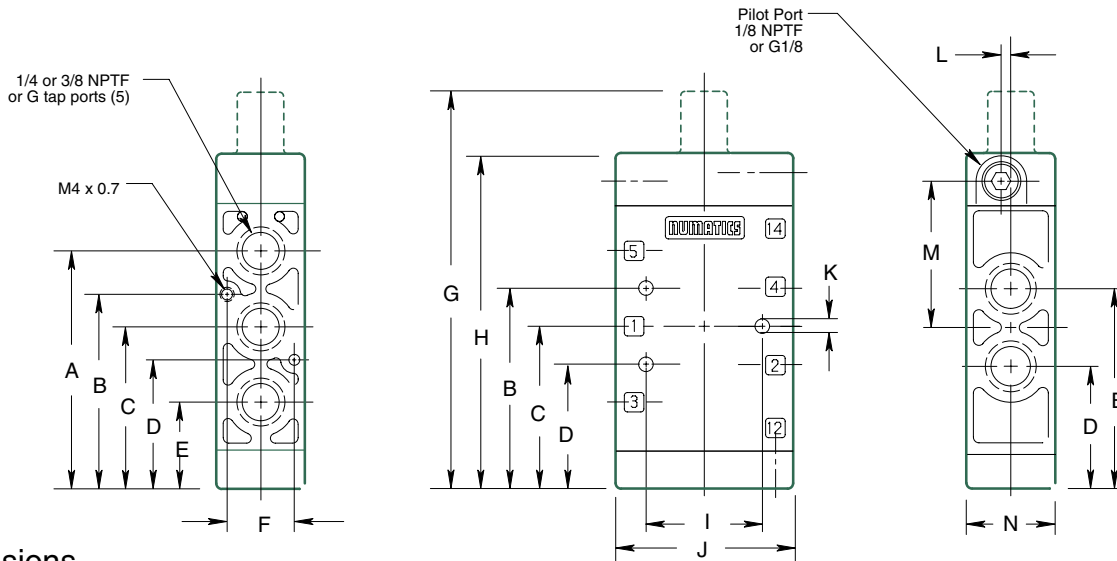
Dimensions

top dimensions = inches and bottom dimensions (in parenthesis) = millimeters

| A | B | C | D | E | F | G | H | I | J | K | L | M | N | O | P | Q | R |
|----------------|----------------|----------------|----------------|----------------|---------------|----------------|----------------|-----------------|-----------------|----------------|----------------|----------------|---------------|----------------|-----------------|-----------------|-----------------|
| 2.72 (69.1) | 2.28 (57.9) | 1.85 (47.0) | 1.41 (35.8) | 0.97 (24.6) | 0.08 (2.0) | 0.75 (19.1) | 3.53 (89.7) | 5.99 (152.1) | 5.38 (136.7) | 2.89 (72.9) | 1.27 (32.3) | 2.00 (50.8) | 0.17 (4.3) | 1.00 (25.4) | 4.66 (118.4) | 8.78 (223.0) | 9.32 (236.7) |



Air-Pilot Valve - 2 Position L2_PA425, L2_JA452

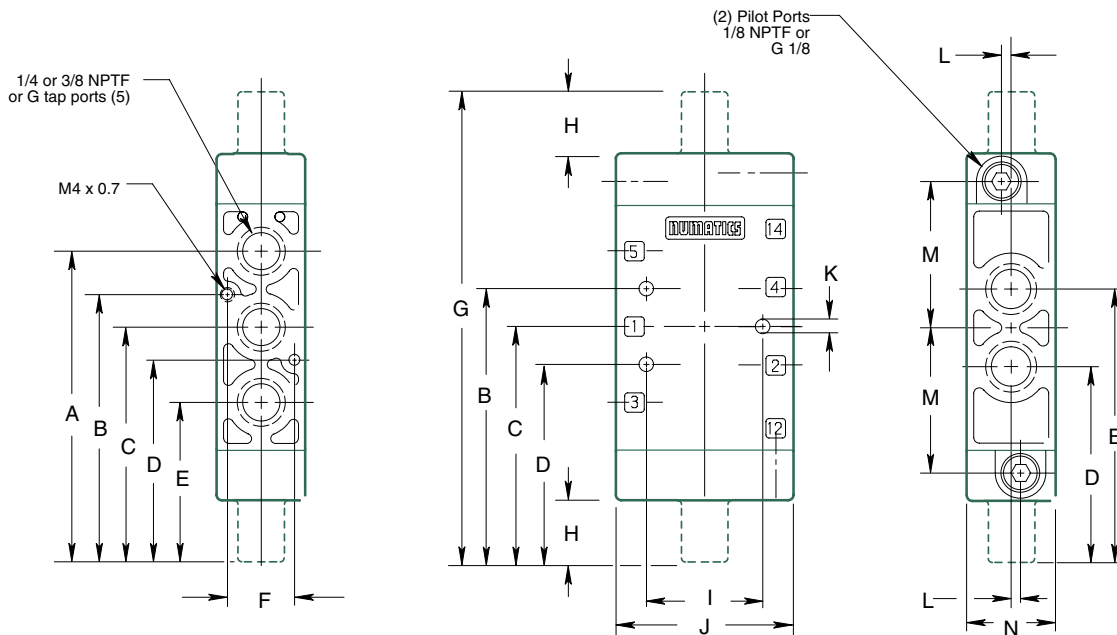


Dimensions

top dimensions = inches and bottom dimensions (in parenthesis) = millimeters

| A | B | C | D | E | F | G | H | I | J | K | L | M | N |
|----------------|----------------|----------------|----------------|----------------|----------------|-----------------|----------------|----------------|----------------|---------------|---------------|----------------|----------------|
| 2.72 (69.1) | 2.28 (57.9) | 1.85 (47.0) | 1.41 (35.8) | 0.97 (24.6) | 0.75 (19.1) | 4.56 (115.8) | 3.85 (97.8) | 1.27 (32.3) | 2.00 (50.8) | 0.17 (4.3) | 0.08 (2.1) | 1.69 (42.9) | 1.00 (25.4) |

Air-Pilot Valve L2_PP452, L2_PP552, L2_PP652 L2_PP752, L2_PM452, L2_JJ452 L2_JJ552, L2_JJ652, L2_JJ752



Dimensions

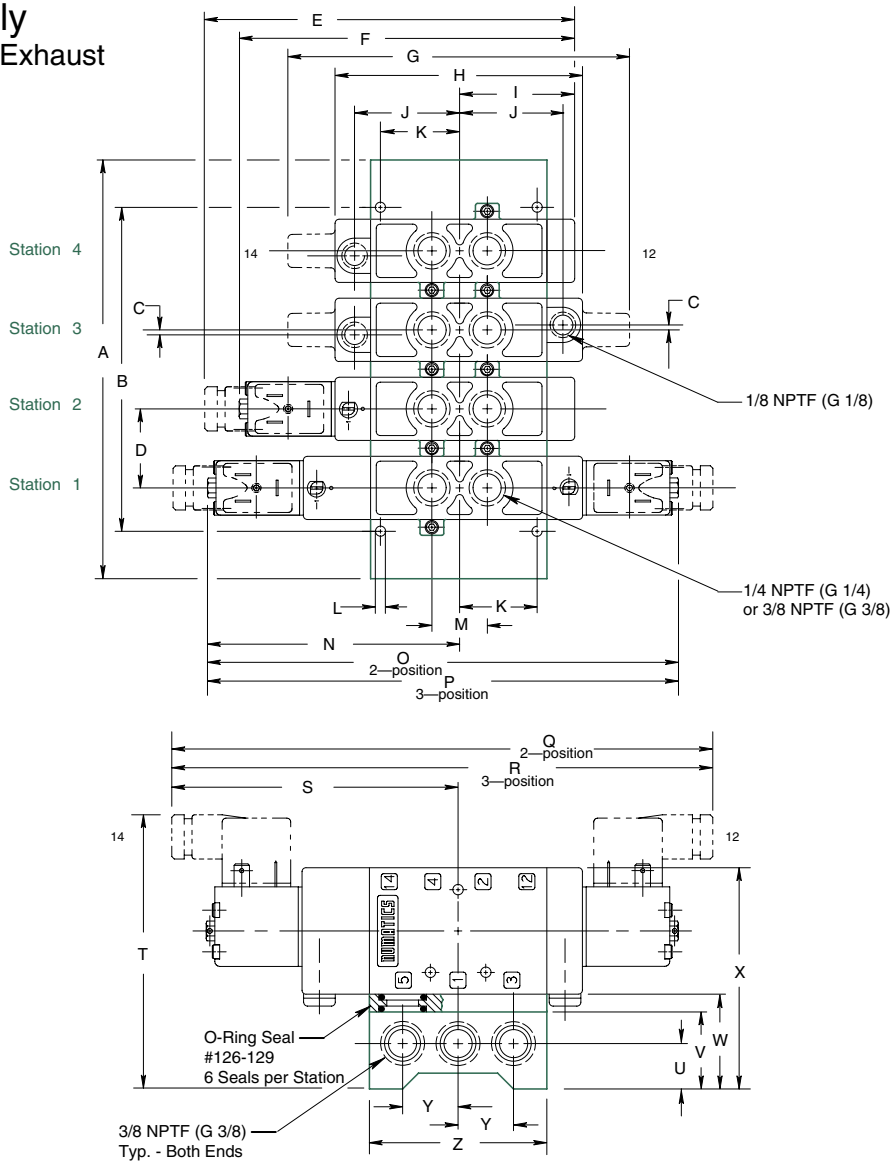
top dimensions = inches and bottom dimensions (in parenthesis) = millimeters

| A | B | C | D | E | F | G | H | I | J | K | L | M | N |
|----------------|----------------|----------------|----------------|----------------|----------------|-----------------|----------------|----------------|----------------|---------------|---------------|----------------|----------------|
| 3.59 (91.2) | 3.15 (79.9) | 2.71 (68.8) | 2.28 (57.8) | 1.84 (46.6) | 0.75 (19.1) | 5.43 (137.9) | 0.71 (18.0) | 1.27 (32.3) | 2.00 (50.8) | 0.17 (4.3) | 0.08 (2.1) | 1.69 (42.9) | 1.00 (25.4) |



L2 Series

Manifold Assembly Common Supply and Exhaust



Dimensions

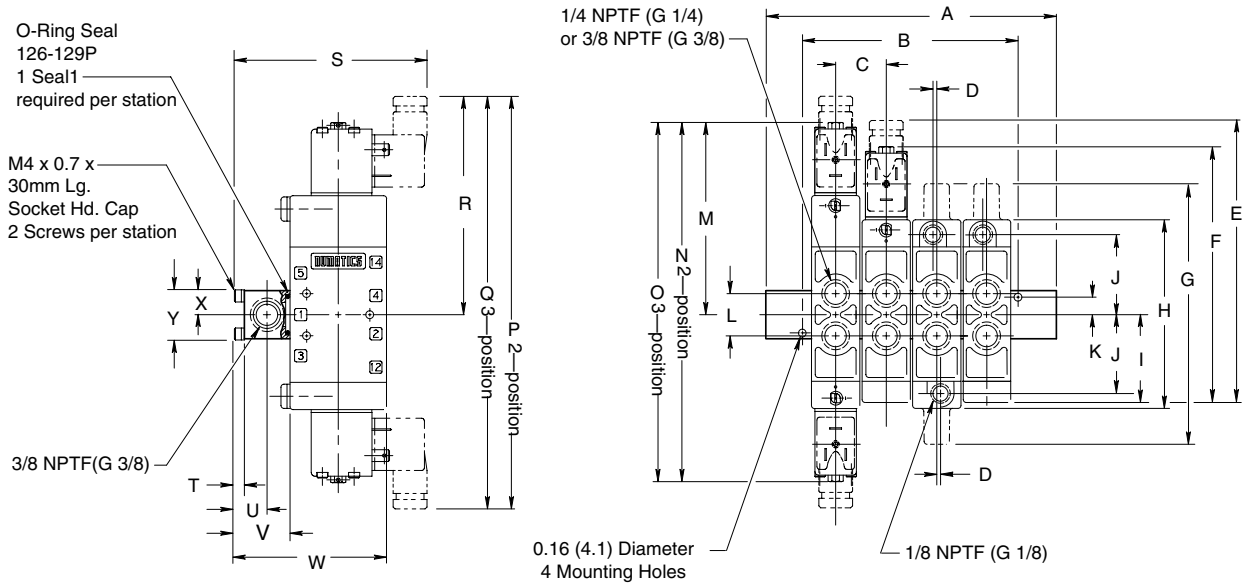
top dimensions = inches and bottom dimensions (in parenthesis) = millimeters

| A | B | C | D | E | F | G | H | I | J | K | L | M | N | O | P |
|--------------------|--------------------|-----------------|-----------------|-----------------|-----------------|-----------------|-----------------|----------------|----------------|----------------|---------------|----------------|-----------------|-----------------|-----------------|
| See Chart Below | See Chart Below | 0.08 (2.0) | 1.26 (32.0) | 5.99 (152.1) | 5.38 (136.6) | 5.43 (137.9) | 4.01 (101.9) | 1.85 (47.0) | 1.69 (42.9) | 1.25 (31.8) | 0.16 (4.1) | 0.88 (22.4) | 4.05 (102.9) | 7.58 (192.5) | 8.10 (205.7) |
| Q | R | S | T | U | V | W | X | Y | Z | | | | | | |
| 8.78 (223.0) | 9.32 (236.7) | 4.66 (118.4) | 4.35 (110.5) | 0.72 (18.3) | 1.20 (18.3) | 1.48 (37.6) | 3.48 (88.4) | 0.88 (22.4) | 2.78 (70.6) | | | | | | |

| MANIFOLD # STATIONS | DIM A | DIM B | 3/8 NPTF PART NO. | G 3/8 PART NO. | MANIFOLD # STATIONS | DIM A | DIM B | 3/8 NPTF PART NO. | G 3/8 PART NO. |
|------------------------|------------------|-----------------|----------------------|-------------------|------------------------|--|------------------|----------------------|-------------------|
| 2 Stations | 4.16 (105.7) | 2.64 (67.1) | 106-704 | 106-715 | 8 Stations | 11.72 (329.7) | 10.20 (259.1) | 106-710 | 106-721 |
| 3 Stations | 5.42 (137.7) | 3.90 (99.1) | 106-705 | 106-716 | 9 Stations | 12.98 (329.7) | 11.46 (291.1) | 106-711 | 106-722 |
| 4 Stations | 6.68 (169.7) | 5.16 (131.1) | 106-706 | 106-717 | 10 Stations | 14.24 (361.7) | 12.72 (323.1) | 106-712 | 106-723 |
| 5 Stations | 7.94 (201.7) | 6.42 (163.1) | 106-707 | 106-718 | 11 Stations | 15.50 (393.7) | 13.98 (355.1) | 106-713 | 106-724 |
| 6 Stations | 9.20 (233.7) | 7.68 (195.1) | 106-708 | 106-719 | 12 Stations | 16.76 (425.7) | 15.24 (387.1) | 106-714 | 106-725 |
| 7 Stations | 10.46 (265.7) | 8.94 (227.1) | 106-709 | 106-720 | Adaptor Kit | Order (1) adaptor kit for each station on the manifold. Includes all seals and screws. | | | 239-312 |



Manifold Assembly Common Supply and Individual Exhaust



Dimensions

top dimensions = inches and bottom dimensions (in parenthesis) = millimeters

| A | B | C | D | E | F | G | H | I | J | K | L | M | N | O | P |
|-----------------|-----------------|----------------|---------------|-----------------|-----------------|-----------------|-----------------|----------------|----------------|---------------|----------------|-----------------|-----------------|-----------------|-----------------|
| See Chart Below | See Chart Below | 1.03 (26.2) | 0.08 (2.1) | 5.99 (152.1) | 5.38 (136.6) | 5.43 (137.9) | 4.01 (101.9) | 1.85 (46.9) | 1.69 (42.9) | 0.38 (9.5) | 0.88 (22.2) | 4.05 (102.9) | 7.58 (192.6) | 8.10 (205.7) | 8.78 (223.0) |
| Q | R | S | T | U | V | W | X | Y | | | | | | | |
| 9.32 (236.7) | 4.66 (118.4) | 3.77 (95.8) | 0.20 (5.2) | 0.45 (11.4) | 0.90 (22.9) | 3.10 (78.9) | 0.48 (12.3) | 0.97 (24.6) | | | | | | | |

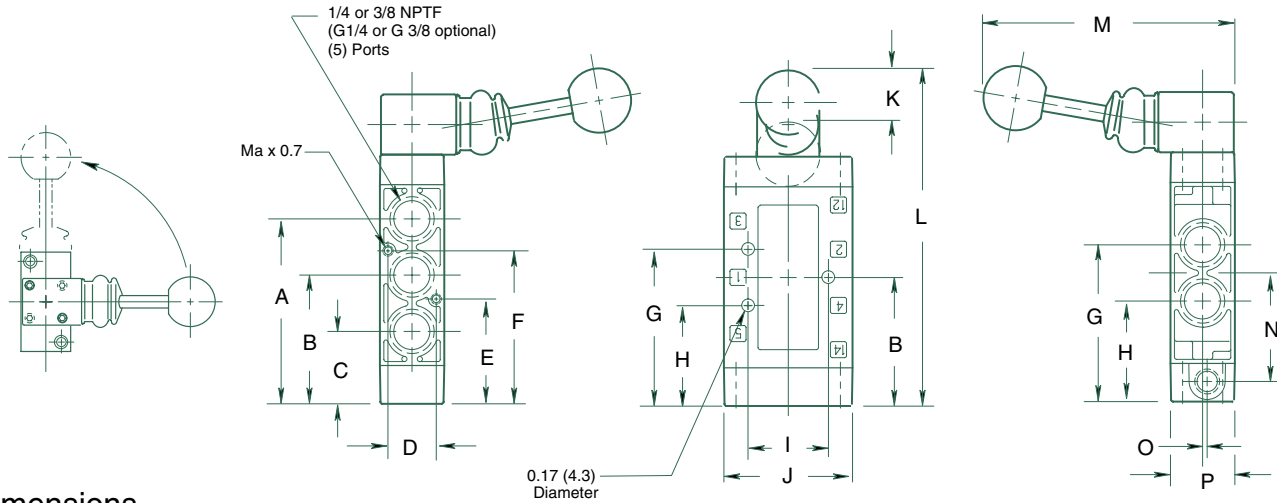
| MANIFOLD # STATIONS | DIM A | DIM B | 3/8 NPTF PART NO. | G 3/8 PART NO. |
|---------------------|-----------------|-----------------|-------------------|----------------|
| 2 Stations | 3.92 (99.2) | 2.40 (60.9) | 229-946 | 229-957 |
| 3 Stations | 4.95 (125.7) | 3.43 (87.1) | 229-947 | 229-958 |
| 4 Stations | 5.98 (151.9) | 4.46 (113.3) | 229-948 | 229-959 |
| 5 Stations | 7.01 (178.1) | 5.49 (139.5) | 229-949 | 229-960 |
| 6 Stations | 8.04 (204.2) | 6.52 (165.6) | 229-950 | 229-961 |
| 7 Stations | 9.07 (230.4) | 7.55 (191.8) | 229-951 | 229-962 |

| MANIFOLD # STATIONS | DIM A | DIM B | 3/8 NPTF PART NO. | G 3/8 PART NO. |
|---------------------|------------------|------------------|-------------------|----------------|
| 8 Stations | 10.10 (256.5) | 8.58 (217.9) | 229-952 | 229-963 |
| 9 Stations | 11.13 (282.7) | 9.61 (244.1) | 229-953 | 229-964 |
| 10 Stations | 12.16 (308.9) | 10.64 (270.3) | 229-954 | 229-965 |
| 11 Stations | 13.16 (335.0) | 11.67 (296.4) | 229-955 | 229-966 |
| 12 Stations | 14.22 (361.2) | 12.70 (322.6) | 229-956 | 229-967 |



L2 Series

Hand Lever Valve



Dimensions

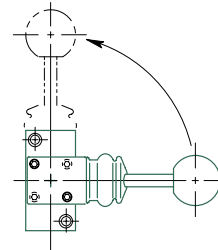
top dimensions = inches and bottom dimensions (in parenthesis) = millimeters

| A | B | C | D | E | F | G | H | I | J | K | L | M | N | O | P |
|--------|--------|--------|--------|--------|--------|--------|--------|--------|--------|--------|---------|--------|--------|-------|--------|
| 2.88 | 2.00 | 1.13 | 0.75 | 1.63 | 2.38 | 2.44 | 1.57 | 1.27 | 2.00 | 0.72 | 5.18 | 3.93 | 1.68 | 0.08 | 1.00 |
| (73.2) | (50.8) | (28.7) | (19.1) | (41.4) | (60.5) | (62.0) | (39.9) | (32.3) | (50.8) | (18.3) | (131.6) | (99.8) | (42.7) | (2.0) | (25.4) |

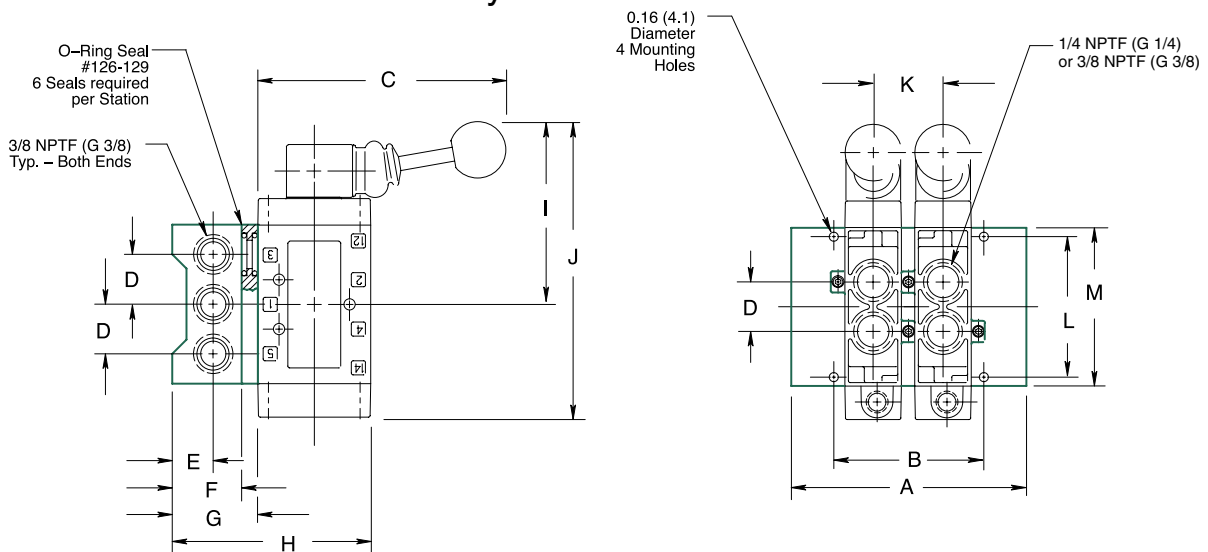
Lever Rotation Procedure

The Numatics L22 & L23 Hand Lever Series allows for the rotation of the lever 90° to become parallel with the valve cylinder ports.

Remove (2) M3 socket head screws from lever bracket and rotate 90° in either direction. Re-assemble screws and tighten securely.



Hand Lever Valve Manifold Assembly



Dimensions

top dimensions = inches and bottom dimensions (in parenthesis) = millimeters

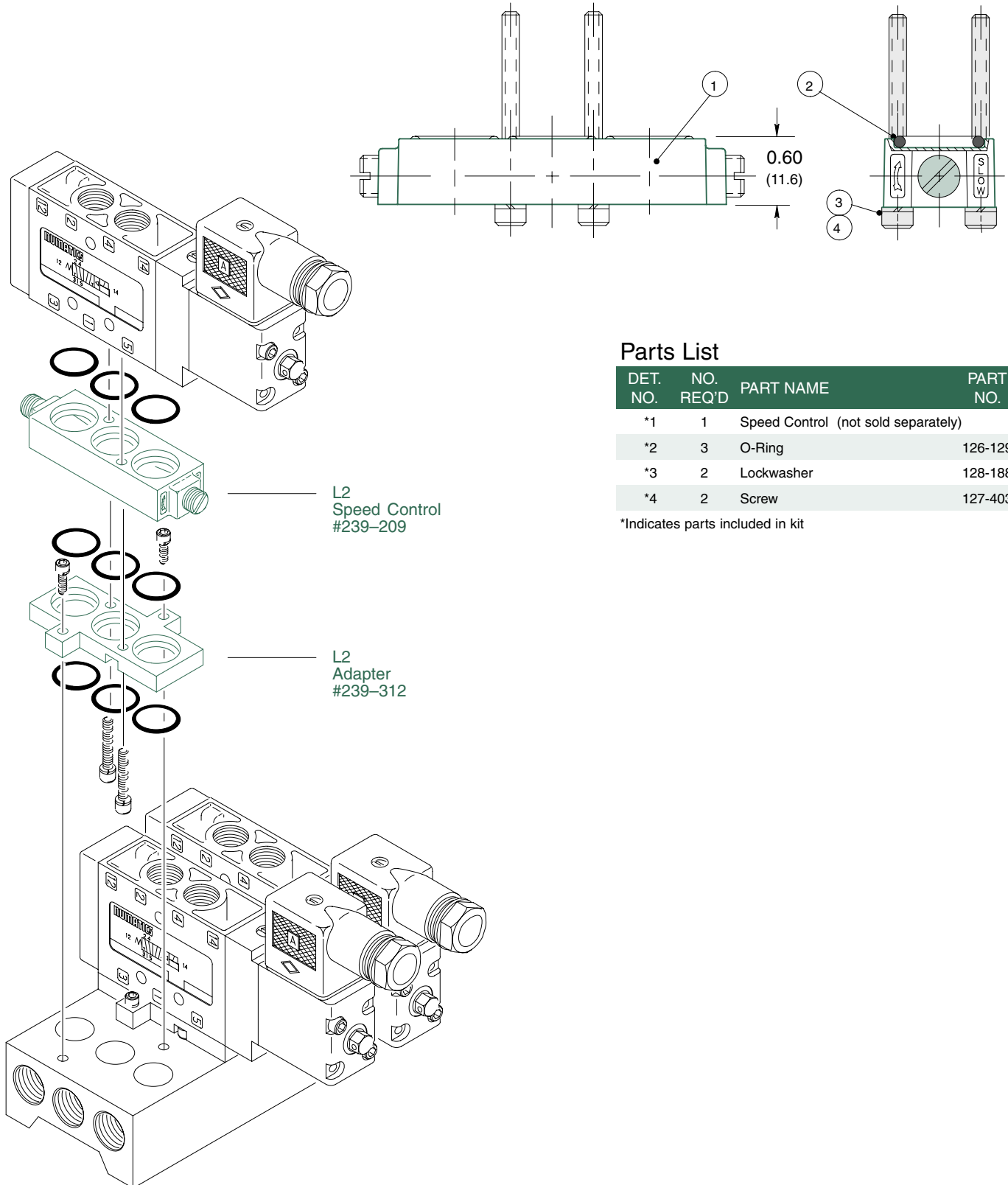
| A | B | C | D | E | F | G | H | I | J | K | L | M |
|--------------------|--------------------|---------|--------|--------|--------|--------|--------|--------|---------|--------|--------|--------|
| See chart on pg. 6 | See chart on pg. 6 | 4.43 | 0.88 | 0.72 | 1.20 | 1.48 | 3.48 | 3.18 | 5.18 | 1.26 | 2.49 | 2.78 |
| | | (112.5) | (22.4) | (18.3) | (30.5) | (37.6) | (88.4) | (80.8) | (131.6) | (32.0) | (63.2) | (70.6) |



Speed Control Kit

239-209

The L2 speed control mounts between any L2 Series valve and die cast adaptor using (3) O-rings from the speed control kit and (3) O-rings and (2) screws from the adaptor kit. This assembly then mounts to and 3-gallery manifold by using the remaining (3) O-rings and (2) screws from the adaptor kit.



Parts List

| DET. NO. | NO. REQ'D | PART NAME | PART NO. |
|----------|-----------|-------------------------------------|----------|
| *1 | 1 | Speed Control (not sold separately) | |
| *2 | 3 | O-Ring | 126-129 |
| *3 | 2 | Lockwasher | 128-188 |
| *4 | 2 | Screw | 127-403 |

*Indicates parts included in kit

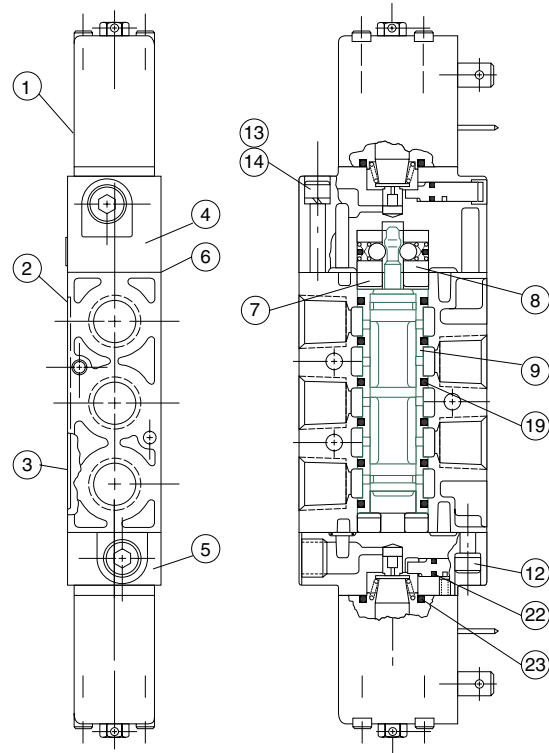
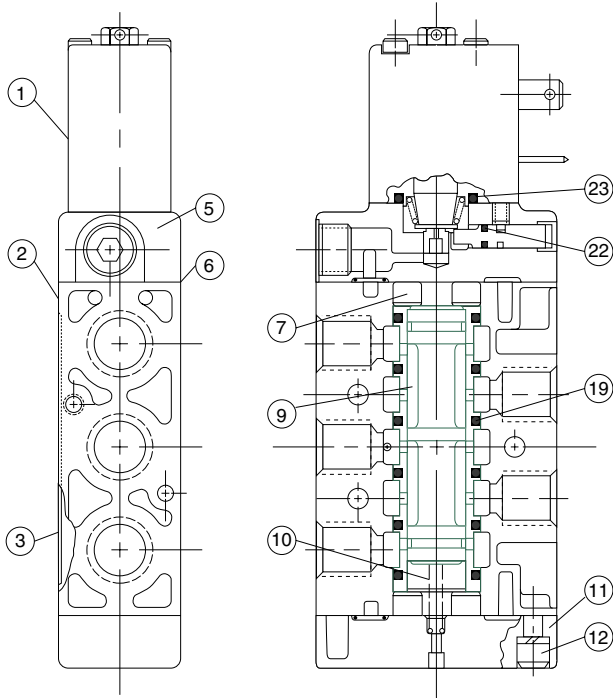


Valve Service Kits and Parts – 2 Position

Solenoid-Pilot Actuated

Kit No. L2-K1 (For Models L22BA4, L23BA4)

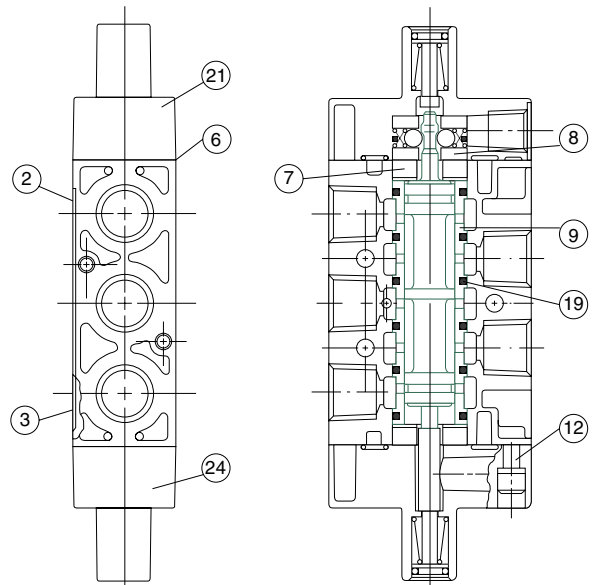
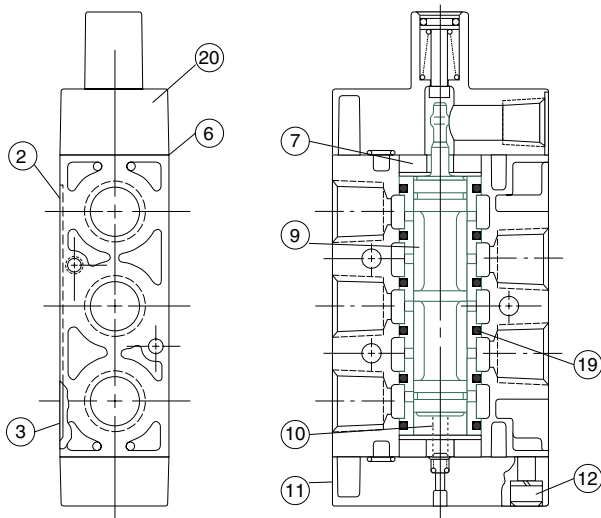
Kit No. L2-K2 (For Models L22BB4, L23BB4)



Air-Pilot Actuated

Kit No. L2-K1 (For Models L2_PA4, L2_JA4)

Kit No. L2-K2 (For Models L2_PP4, L2_JJ4)

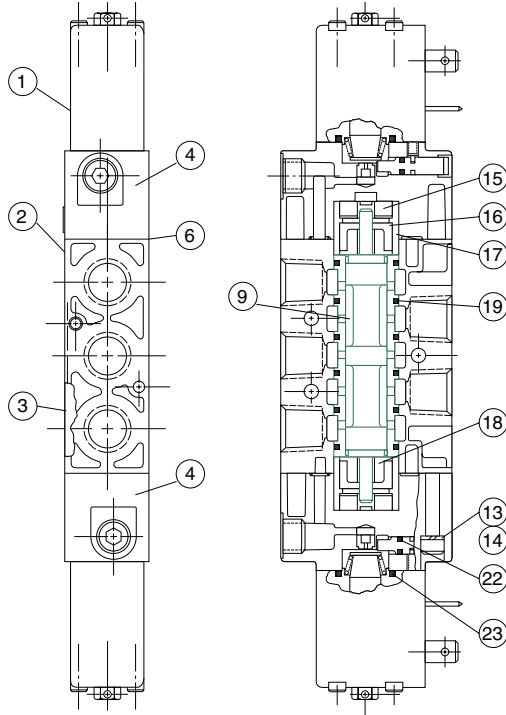




Valve Service Kits and Parts – 3 Position

Solenoid-Pilot Actuated

Kit No. L2-K3 (For Models L2_BB5, L2_BB6, L2_BB7)

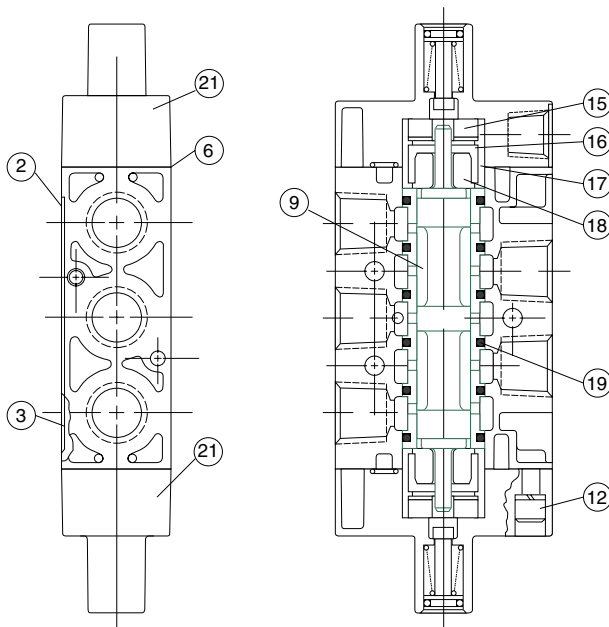


Parts List

| DET. NO. | NO. REQ'D | PART NAME | PART NO. |
|----------|-----------|---|-----------|
| 1 | 1 | Solenoid Capsule Assembly | See p. 14 |
| 2 | 1 | Valve Body (not sold separately) | |
| 3 | 1 | Nameplate | 122-940 |
| 4 | > | Adaptor Assembly | 219-129 |
| 5 | 1 | Adaptor Assembly | 219-127 |
| 6 * | 2 | Gasket | 113-313 |
| 7 ~ | 2 | Bumper | 114-147 |
| 8 *** | 1 | Detent Assembly | 210-116 |
| 9 | 1 | Sleeve Assembly w/Seals ‡ for models: L2-BA4 | 209-323 |
| | | L2-BB4, JA4, PA4 | 209-327 |
| | | L2-BB5, JJ5, PP5 | 209-370 |
| | | L2-BB6, JJ6, PP6 | 209-371 |
| | | L2-BB7, JJ7, PP7 | 209-372 |
| 1{ ** | 1 | Spring | 115-248 |
| 11 | 1 | Spring Cover Assembly | 204-393 |
| 12 | < | Screw Assembly | 127-396 |
| 13 | • | Lockwasher | 128-190 |
| 14 | 2 | Screw | 127-400 |
| 15**** | 2 | Bumper | 114-148 |
| 1{ **** | 2 | Spring | 115-247 |
| 17**** | 2 | Spacer | 116-341 |
| 1{ **** | 2 | Spring Retainer | 116-340 |
| 19* | 6 | O-Ring Seal | 126-204 |
| 20 | 1 | Pilot Cap Assembly | 204-404 |
| 21 | > | Pilot Cap Assembly | 204-408 |
| 2{ * | 2 | Seal (override) | 126-163 |
| 23* | 2 | Seal (solenoid-pilot) | 126-203 |
| 24 | 1 | Pilot Cap Assembly | 204-406 |

Air-Pilot Actuated

Kit No. L2-K3 (For Models L2_PP5, L2_PP6, L2_PP7, L2_JJ5, L2_JJ6, L2_JJ7)



* indicates parts in L2-K1, L2-K2, and L2-K3

** indicates part in L2-K1 only

*** indicates part in L2-K2 only

**** indicates part in L2-K3 only

~ indicates part in L2-K1 and L2-K2 only

‡ Spool & sleeve assemblies are precision matched sets & include (6) 126-204 seals; spools are not interchangeable.

> (1) for 2-position models; (2) for 3-position models

< (4) for L2-BA4, (2) for L2-BB4

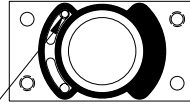
• (2) for 2-position models; (4) for 3-position models



L2 Series

Internal / External Pilot Selection

INTERNAL
PILOT SUPPLY



PILOT SUPPLY HOLE MUST
BE VISIBLE BOTH ENDS

EXTERNAL
PILOT SUPPLY

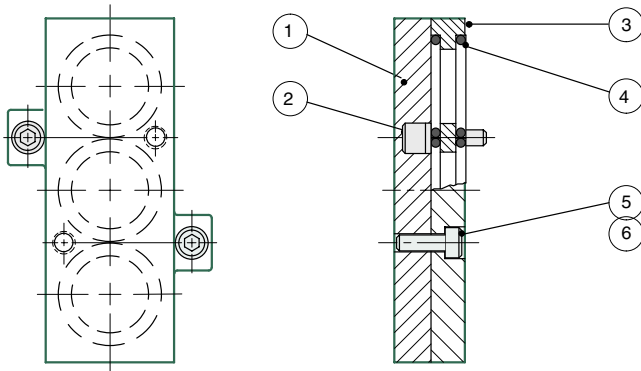


ROTATE GASKET TO COVER
PILOT SUPPLY HOLE.
REMOVE PIPE PLUG
(PART NO. 129-100)

NOTE: On double solenoid-pilot valves, both ends must be converted.

External pilot supply must be used if pressure is supplied to any port except No.1.

Blank Station Plate Kit



| MANIFOLD TYPE | PART NO. |
|---|----------|
| Common Supply, Common Exhaust (shown) | 239-471 |
| Common Supply, Individual Exhaust (not shown) | 229-990 |

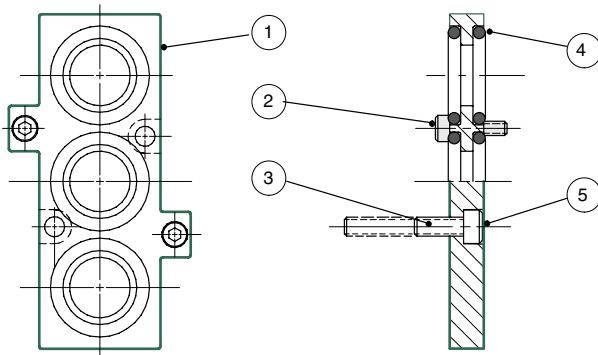
Parts List

| DET. NO. | NO. REQ'D | PART NAME | 239-471 PART NO. | 229-990 PART NO. |
|----------|-----------|---|------------------|------------------|
| 1 * | 1 | Blank Station Plate (not sold separately) | | |
| 2 * | 2 | Screw Assembly | 127-570 | N/A |
| 3 * | 1 | Adaptor (not sold separately) | | |
| 4 * | 6 | O-Ring | 126-129 | 126-129 |
| 5 * | 2 | Screw | 127-710 | 127-361 |
| 6 * | 2 | Lockwasher | 128-190 | 128-188 |

*Indicates parts included in kit

Adaptor Kit

239-312

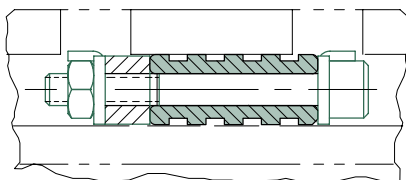


Parts List

| DET. NO. | NO. REQ'D | PART NAME | PART NO. |
|----------|-----------|-------------------------------|----------|
| 1 * | 2 | Adaptor (not sold separately) | |
| 2 * | 2 | Screw | 127-577 |
| 3 * | 2 | Screw | 127-570 |
| 4 * | 6 | O-Ring | 126-129 |
| 5 * | 2 | Screw (shipped loose) | 127-400 |

*Indicates parts included in kit

Blocking Plug Kit



| MANIFOLD TYPE | PART NO. |
|---|----------|
| Common Supply, Common Exhaust (shown) | 239-516 |
| Common Supply, Individual Exhaust (not shown) | 239-250 |

Kit includes (2) blocking plug spacer, rubber spacer, nut and screw

Solenoid Assemblies

| STANDARD VOLTAGES | 100-115/50 115-120/60 VAC | 200-240/50 220-240/60 VAC | 24/50-60 | 12 VDC | 24VDC |
|-------------------|------------------------------|------------------------------|----------|---------|---------|
| Part No. | 237-569 | 237-570 | 237-568 | 226-737 | 226-749 |

NUMATICS®

World Class Supplier
of Pneumatic Components



World Headquarters

Numatics Incorporated
Phone: 248-887-4111
Fax: 248-887-9190

UNITED STATES

Numatics – Air Preparation
Phone: 810-667-3900
Fax: 810-667-3902

Numatics – Valves

Phone: 248-887-4111
Fax: 248-887-9190

Numatics – Miniature Valves

Phone: 248-960-1400
Fax: 248-960-2160

Numatics – Cylinders

Phone: 615-771-1200
Fax: 615-771-1201

Numatics – Rodless Cylinders

Phone: 519-452-1777
Fax: 519-452-3995

Numatics – Automation

Phone: 440-934-3200
Fax: 440-934-2288

CANADA

Ontario
Numatics, Ltd.
Phone: 519-452-1777
Fax: 519-452-3995

Quebec

Numatics, Ltd.
Phone: 514-332-6444
Fax: 514-332-9273

British Columbia

Numatics, Ltd.
Phone: 604-574-0401
Fax: 604-574-3713

EUROPE

Germany – European Headquarters

Numatics GmbH
Phone: 011-49-22 41-31 60-0
Fax: 011-49-22 41-31 60 40

Hungary

Numatics Kft.
Phone: 011-36-13 82 21 35
Fax: 011-36-12 04 39 47

EUROPE

England
Numatics Limited
Phone: 011-44-1525-37 07 35
Fax: 011-44-1525-38 25 67

France

Numatics s.a.r.l.
Phone: 011-33-1 41 21 48 88
Fax: 011-33-1 41 21 48 89

Italy

Numatics srl
Phone: 011-39-030-373 19 99
Fax: 011-39-030-373 19 81

Netherlands

Numatics B.V.
Phone: 011-31-418-65 29 50
Fax: 011-31-418-65 29 43

Spain

Numatics Spain S.L.
Phone: 011-34-93-221 21 96
Fax: 011-34-93-221 35 14

AFRICA

South Africa
Numatics SA (Pty) Ltd.
Phone: 011-27-11-8 65 44 52
Fax: 011-27-11-8 65 42 90

LATIN & SOUTH AMERICA

Mexico
Numatics de Mexico S.A. de C.V.
Phone: 011-52-222-284 6176
Fax: 011-52-222-284 6179

Brazil

Valvair Comercial Ltda.
Phone: 011-55-12-351 2874
Fax: 011-55-12-351 1958

ASIA & PACIFIC

Australia
Numatics Australia Pty. Ltd.
Phone: 011-61-3-95 63 86 00
Fax: 011-61-3-95 63 85 11

Taiwan – Asian Headquarters

Numatics Co, Ltd. Asia
Phone: 011-886-2-29 15 16 05
Fax: 011-886-2-29 14 18 97

For a comprehensive listing of all Numatics production and distribution facilities worldwide, visit www.numatics.com