

DVW
VORTEX FLOWMETER AND SWITCH



Flow
Pressure
Level
Temperature
measurement
monitoring
control

- Measuring Ranges 0.5-4 Liter/Min. to 50-40 Liter/Min. Water
- Accuracy $\pm 5\%$ of Full Scale
- LED Display and 2 Switches
- Compact or Remote Mounted Versions



S5



USA

KOBOLD Instruments Inc.
1801 Parkway View Drive
USA- Pittsburgh, PA 15205
☎ +1 412-788-2830
Fax +1 412-788-4890
E-mail: info@koboldusa.com



CANADA

KOBOLD Instruments Canada Inc.
9A Aviation
Pointe-Claire, QC H9R 4Z2
☎ +1 514-428-8090
Fax +1 514-428-8899
E-mail: kobold@kobold.ca

Visit KOBOLD Online at
www.kobold.com

Model:
DVW



Features

- Measuring Ranges 0.5-4 Liter/Min. to 5-40 Liter/Min. Water
- Accuracy $\pm 5\%$ of Full Scale
- LED Display and 2 Switches
- Compact or Remote Mounted Versions

The DVW series vortex flowmeter and switch is ideal for measuring low flows of water and low viscosity liquids where monitoring flow switchpoints is required. The DVW operates on the vortex shedding principle. This principle employs a bluff body in the flow stream. As the liquid flows past the bluff body, turbulence and a pressure oscillation is formed behind the body. The frequency of this pressure oscillation is proportional to liquid flowrate. A pressure sensor behind the bluff body measures the oscillations. The vortex principle measures flow with no moving parts which makes the DVW extremely reliable. The flow-through design has a minimal pressure drop. The units features an LED flowrate display and two PNP transistor switches with programmable setpoint and hysteresis. Versions with compact or remote mounted sensors are available.



KOBOLD DVW Vortex Flowmeter and Switch

Specifications

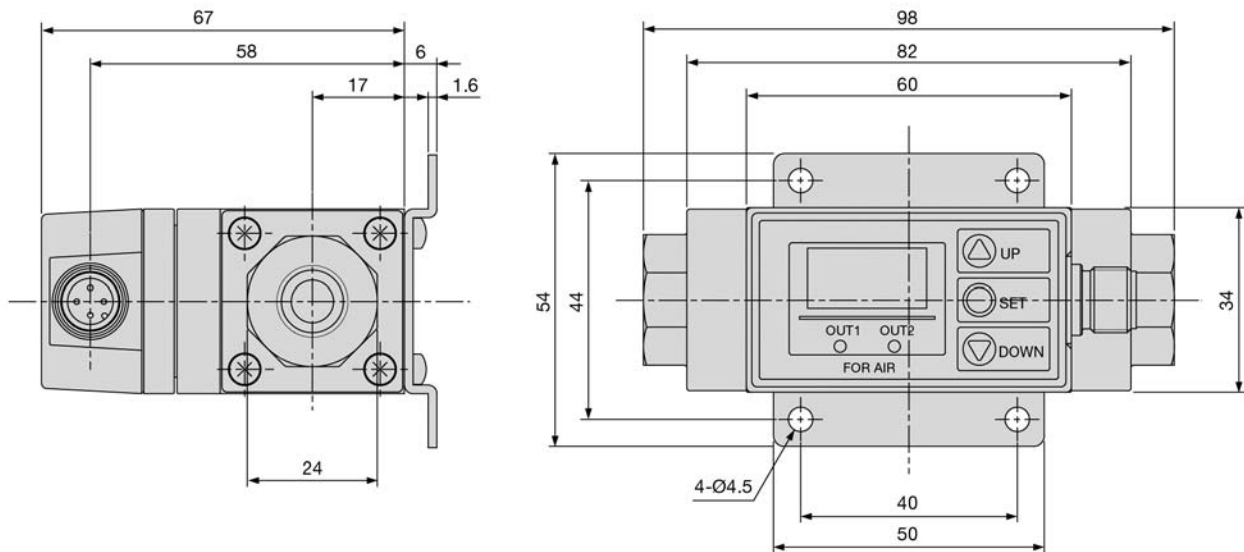
Measuring Principle:	Vortex shedding principle	Response Time:	1 second	Vibration Resistance:	10-500 Hz, 1.5 mm amplitude
Measuring Range:	0.5-4 LPM to 5-40 LPM water	Display Type:	3-digit LED flow rate display		10 G Max. acceleration in X, Y and Z axis.
Linearity:	$\pm 5\%$ of full scale	Power Requirement:	12-24 VDC, 70 mA Max. plus switch loads		
Repeatability:	$\pm 3\%$ of full scale	Switches:	2 PNP open collectors, 80 mA Max. w/ programmable switchpoint and hysteresis		
Temperature Effect:	$\pm 5\%$ of full scale @ 0-50°C	Electrical Connection:	Micro-DC, 4-pin, male		
Viscosity Range:	3 cSt. Max.	Electrical Protection:	NEMA 4X/IP 65		
Maximum Pressure:	70 PSIG				
Operating Temperature Range:	32-120°C				
Wetted Materials					
Body:	Stainless Steel				
Sensor:	Ryton (PPS)				
O-ring:	Buna-N				

Order Numbers for Standard Types

Description	Type	Flow Range/ Fitting	Max. Pressure Drop
Compact version, flowmeter and controller mounted on sensor	DVW-12...		
Remote mounted sensor (must be combined with one of the displays below)	DVW-22...	04N10 = 0.5-4 LPM water; 3/8" NPT	4.4 PSI
Wall or DIN-rail mount display/controller for DVK-22 sensor	DVW-32...	06N15 = 2-16 LPM water; 1/2" NPT	6.5 PSI
Panel mount display/controller for DVK-22 sensor	DVW-42...	40N20 = 5-40 LPM water, 3/4" NPT	10.1 PSI
Accessories			
Part Number: 807.037 - 4 pin Micro-DC mating plug with 6 ft. cable			

Example: DVW-2204N10 with DVW-4204N10

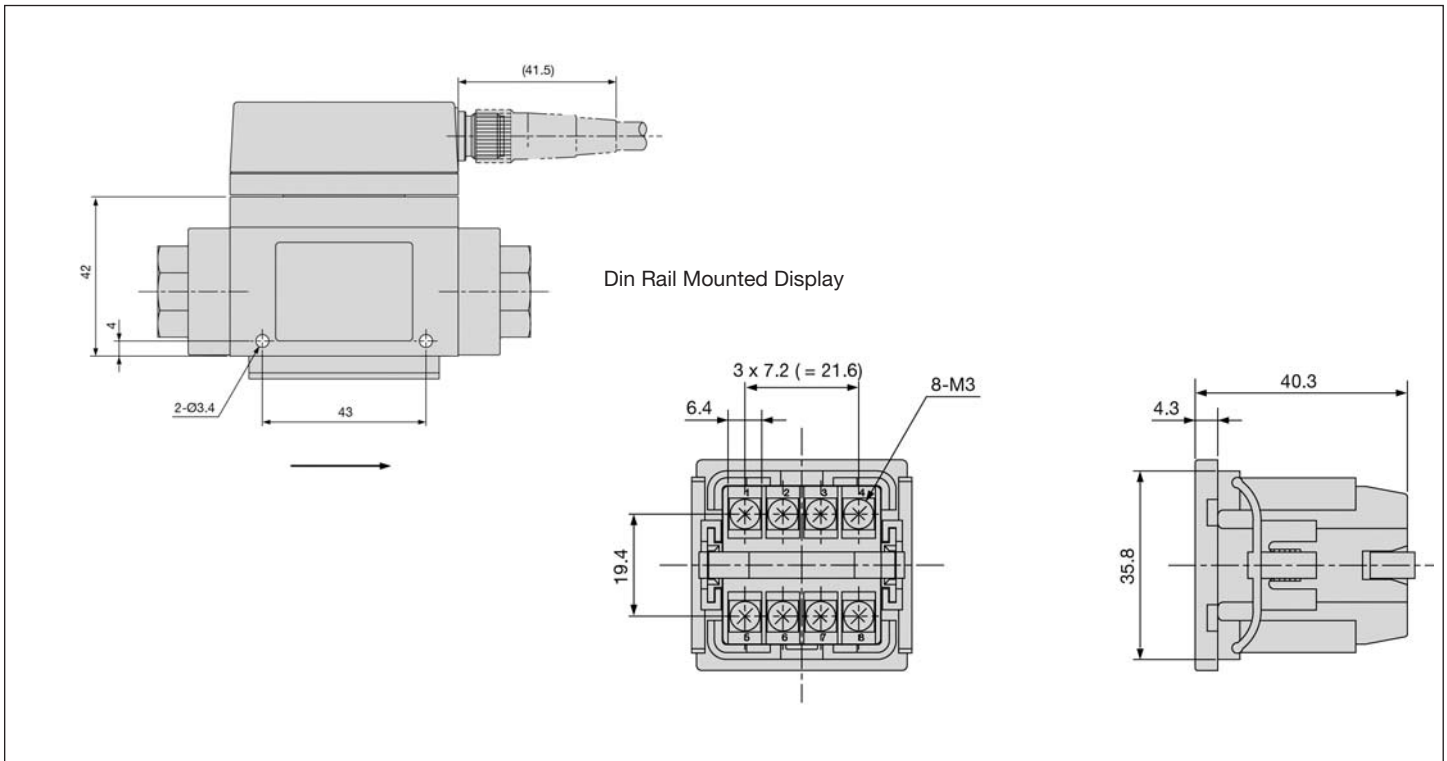
DIMENSIONS -Compact Version
(millimeters)



S5

DIMENSIONS (millimeters)

Remote Sensor



Panel Mounted Display

