

# DPF76 SS DIAPHRAGM PRESSURE GAUGE



KOBOLD Instruments Inc.  
1801 Parkway View Drive  
Pittsburgh, PA 15205  
Ph: (412)788-2830  
Fax: (412)788-4890

- SS design for high corrosion resistance
- Suitable for highly viscous media
- Tolerates crystal formation
- Durable diaphragm element
- Optional glycerin filled indicator



**KOBOLD DPF76 Pressure Gauge**

KOBOLD's DPF76 pressure gauges feature stainless steel construction for superb chemical and corrosion resistance for all your intermediate pressure applications.

Glycerin filling is available.

## Specifications

**Ranges:** -14.7 to 300 PSIG (see table)

**Over Pressure Protection**  
**Momentary:** x 1.3 range max.

**Sensing Element:** diaphragm

**Accuracy:** ±1.6% of full scale

**Operating Temperature**  
**Medium:** freezing to 180°F  
**Ambient:** freezing to 140°F

**Fittings:** 1/2" NPT

## Materials of Construction

### Wetted Parts:

**Element:** SS (Duatherm 600)  
**Fitting:** 316 Ti & 304 SS

### Exterior

**Movement:** Stainless steel  
**Housing:** 304 SS or aluminum  
**Bezel:** 304 SS  
**Pointer:** Black aluminum  
**Indicator Dial:** White aluminum  
**Gauge Window:** Safety glass

**Options:** Glycerin damped indicator assembly

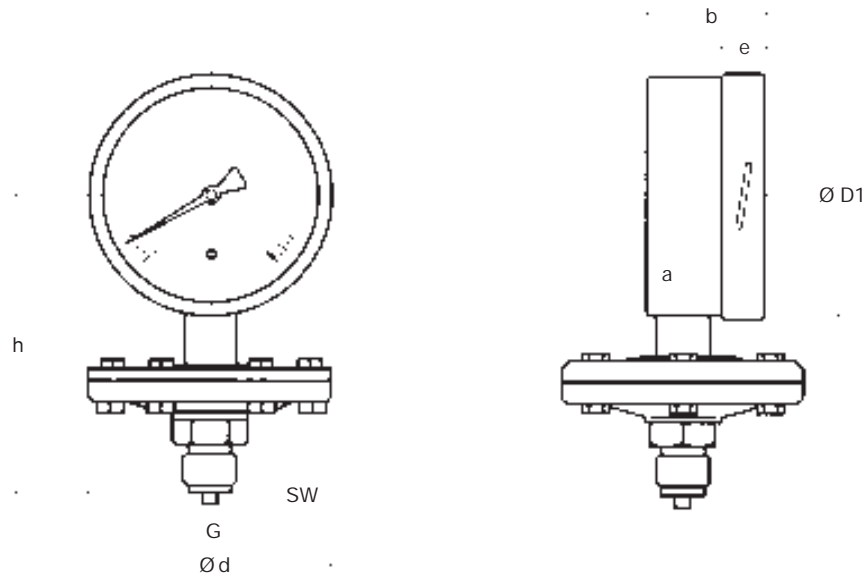


KOBOLD Instruments Inc.  
1801 Parkway View Drive  
Pittsburgh, PA 15205  
Ph: (412)788-2830  
Fax: (412)788-4890

# DPF76 SS DIAPHRAGM PRESSURE GAUGE

DPF76 Ordering Information	
<b>DPF76</b>	= Diaphragm Pressure Gauge for Intermediate Pressures
-1	= 100 mm (4 inch) Dial Face, with Stainless Steel Housing
-2	= 160 mm (6 inch) Dial Face, with Aluminum Housing
<b>Range</b>	= Pressure Range Abbreviation
H00	= -30" to 0" Hg
115	= 15 PSIG
130	= 30 PSIG
160	= 60 PSIG
210	= 100 PSIG
216	= 160 PSIG
220	= 200 PSIG
230	= 300 PSIG
<b>F</b>	= Glycerin damped indicator assembly
<b>Options</b>	
DPF76	-2 130 F
Sample DPF76 Specification	

## Dimensions



Dial Face	Dimensions (mm)							Weight (lbs)	
	Ø d	a	b	Ø D1	e	G	h±2		
4 inch	100	15.5	50	100	17.5	1/2" NPT	125	(27) 22	2.1
6 inch	100	15.5	50	160	17.5	1/2" NPT	175	(27) 22	3.0