

Through advanced circuit design and packaging technology, the ON-Delay ATC 313A packs all of the performance of a conventional plug-in TDR in a space-saving housing. It features a digital timing circuit which ensures high repeat accuracy and excellent noise immunity.

Miniature Housing: You can mount several ATC 313A timers in the same space as a single conventional TDR.

Digital Accuracy: A custom C-MOS integrated circuit accurately measures the dial-adjustable delay by counting the output of an internal oscillator. Repeat accuracy remains high even with variations in voltage, temperature and reset time.

Status Indicators: Two LEDs clearly indicate the operational status of the 313A: one is energized when power is applied; the other is off during the delay period and on at time-out.

Industrial Quality: With a load relay capable of switching 7A resistive loads and a C-MOS design that protects components against noise and voltage transients, the 313A is built for industrial use.



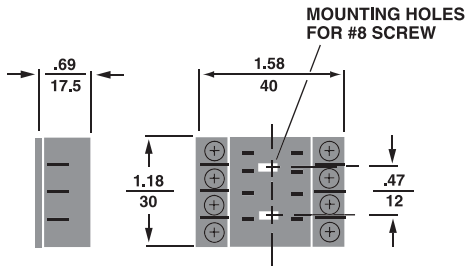
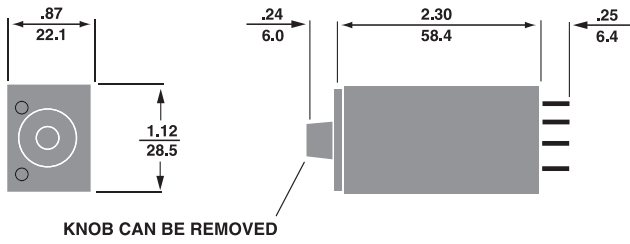
Plug-In Adjustable TDR

SPECIFICATIONS

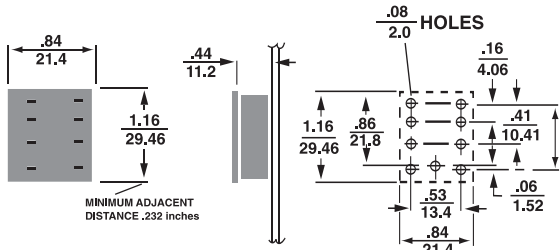
RANGES AND MINIMUM SETTINGS	0.1 SEC-1 SEC	
Choice of four	0.5 SEC-10 SEC	
	3 SEC-1 MIN	
	30 SEC-10 MIN	
	TYPE	2 Form C
LOAD RELAY	LIFE AC	50,000,000 operations (no load)
	LIFE DC	100,000,000 operations (no load)
TEMPERATURE RATING	15 to 120°F (-10 to 50°C)	
CONTACT RATING	7A resistive 1/10 HP at 120V	
MOUNTING	Plug-in optional surface-mounting socket with screw terminals; optional PC board mount socket and wire wrap	
POWER REQUIREMENTS	120 VAC	80 to 132V, 50/60 Hz, 10 mA
	240 VAC	160 to 242V, 50/60 Hz, 8mA
	24V DC	19.2 to 26.4V (at 20°C), 40 mA
SETTING ACCURACY	± 10% of range at full scale	
REPEAT ACCURACY	± 1% of setting or 10 ms when temperature and voltage are constant	
	± 7% of setting when temperature and voltage change within specified operating limits	
RESET TIME	0.1 SEC during timing and at least 15 ms after time out	
HOUSING	Dust, moisture and impact-resistant molded polycarbonate	
WEIGHT	NET: 2 oz.	SHIPPING: 4 oz.

MODEL NUMBER >>>>>>	313A			
	Range			
	1 SEC	001		
	10 SEC	003		
	1 MIN	007		
	10 MIN	014		
	Special	000		
	Voltage & Frequency			
	120 VAC, 50/60 Hz		Q	
	240 VAC, 50/60 Hz		R	
	24 VAC		N	
	Special		K	
	Arrangement			
	On-Delay		1	
	Special		0	
	Features			
	Standard		X	
	Special		K	
	Accessories			
	Surface Mounting Socket		0000-825-81-00	
	PC Board Socket		0000-825-82-00	

DIMENSIONS (INCHES/MILLIMETERS)

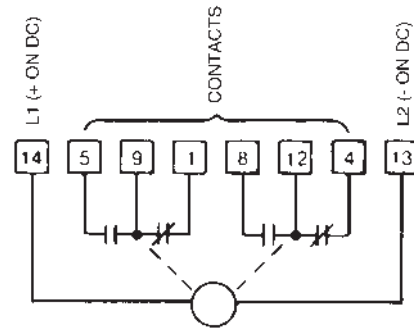


Optional Surface mounting Socket



Optional Socket for PC Boards

WIRING



TERMINAL WIRING

