

The operation of the *new* 304GX Percentage Timer is similar to the 304G with several noteworthy *enhancements*. The *accuracy* of the 304GX has been *improved* to 1% of range. With the Cycle Progress Memory feature, when power is removed and restored during the cycle, the 304GX will continue the cycle without resetting. The latching relay only changes state when the cycle reaches the setpoint or the end of the cycle.

CONTACTS: The relay contact is capable of switching 10 A to a resistive 120 VAC or 30 VDC load. It is capable of driving a 1/3 HP load at 120 VAC.

CYCLE PROGRESS INDICATION: The 304GX has a pilot light that is on solid during the relay off time. It blinks at a faster rate during the relay on time: once every 3.2 seconds during the first 10% of the cycle, twice during the second 25% and so on.

HIGH ACCURACY: The 304GX's timing circuit is not a simple RC circuit. It utilizes the microprocessor that includes counting technology along with a stable crystal oscillator to provide repeatable time delays.

CONVENIENT ADJUSTMENT: Graduated in easily read 1% increments, the 304GX provides continuous adjustment of on time between 5 and 95%.



Solid-State Percentage Timer



OPERATION

The 304GX comes standard in the 60 SEC range but is user configurable for the 15 SEC, 30 SEC, 120 SEC by jumpers from the PC board. Each of these ranges can also be made minutes range by a jumper. Its solid-state circuitry repeatedly closes the SPST load switch for a percentage of the time cycle, as set on the timer dial, and opens it for the remainder of the cycle.

When the dial pointer is set below 3%, the load switch stays open for the full cycle; it remains closed when the pointer is set above 98%. This is true for all seconds and minutes.

If power is interrupted, the 304GX timer will not reset and the relay state will not change. When power is restored, the timer will continue the interrupted cycles.

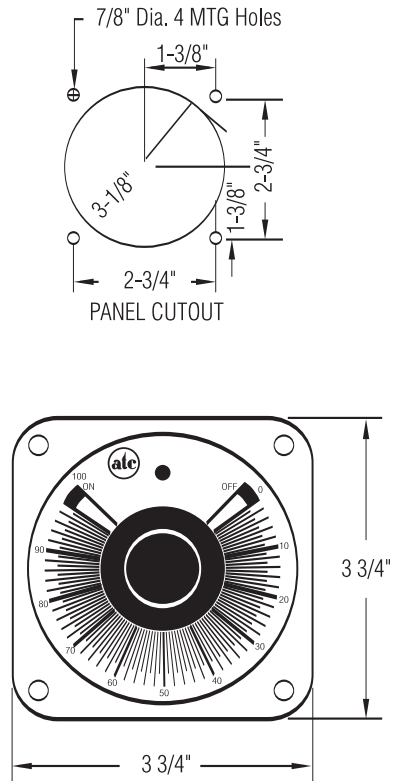
MODEL NUMBER >>>>>>	304GX			
Range				
Multi-range, Jumper Selectable*				
15/30/60/120 SEC	400			
*Factory Set to 60 Sec Range				
15 SEC	004			
30 SEC	006			
60 SEC	007			
Voltage & Frequency				
120 VAC, 50/60 Hz	Q			
240 VAC, 50/60 Hz	R			
24 VAC, 50/60 Hz	T			
24 VDC	N			
Dial Calibration				
Standard	00			
Reverse Dial	01			
Features				
Standard	XX			
Special	XK			

SPECIFICATIONS

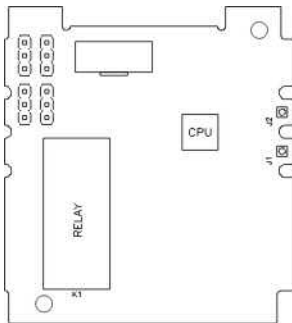
MODEL	304GX Non Plug-In	
CONTACT RATINGS (non-inductive)	10A at 120 VAC	
TEMPERATURE RATING	32° to 120°F (0° to 50°C)	
SETTING ACCURACY	±1% of range 5 to 95% on time, in 1% graduations.	
RANGES	FULL ON, FULL OFF FEATURE. When pointer is set below 3%, load switch contacts are open continuously; above 98%, contacts are closed continuously in all seconds ranges.	
LOAD RELAY	Standard 60 SEC range three configurable ranges of 15 SEC, 30 SEC, 120 SEC, 15 MIN, 30 MIN, 60 MIN and 120 MIN	
POWER REQUIREMENTS	One SPST Relay	
TERMINALS	120V, 50/60 Hz; 50mA running current 240V, 24V and 24 VDC also available	
WEIGHT	4 screw terminals accessible at rear; wiring diagram on housing	
	Net: 5.6 oz.	Shipping: 1 lb.

Percentage Timers // 304GX Series

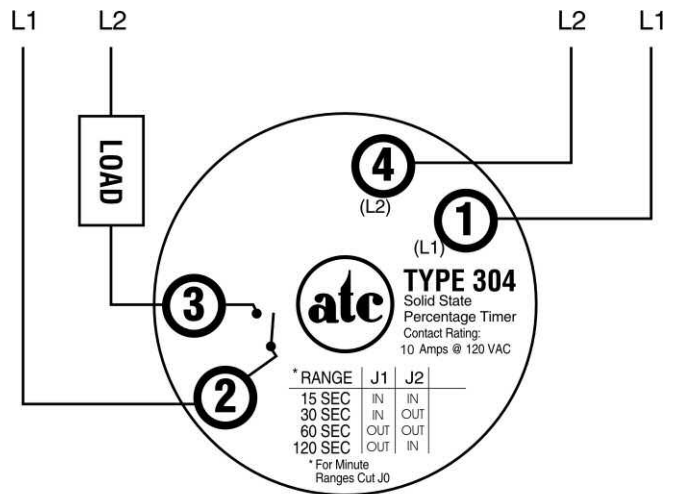
DIMENSIONS (INCHES)



USER CONFIGURATION



WIRING



REAR VIEW OF TIMER

CHART 1

*Range of Configuration

Range	J1	J2
15 SEC	IN	IN
30 SEC	IN	OUT
60 SEC	OUT	OUT
120 SEC	OUT	IN

*For same minute ranges, jump J0

Examples:

1. Jump J2, No Jump J1, make a 120 SEC range
2. Jump J0, No Jump J1, J2, make a 60 minute range.